



VERSION 3

TOOLS MADE FOR AUTOTECHS BY AUTOTECHS

WALLMEK



The original since 1978

INVEST IN TIME

INVEST IN TIME

After a few years on the road, water, dirt, salt and wear and tear can make even the smallest job a time consuming effort. With the correctly designed and functioning tool system, many hours can be saved everyday when working on vehicles.

Today's workshops want skilled and experienced technicians that don't get injured during their job. Ergonomics and working environment are the basic things that makes it possible to keep the best technicians in the shop, loving what they do. The shop will then increase in productivity and the skill level can rise every day.

The right tools is not a cost, it's the best investment in the technician's potential to get the job done quicker and safer. The expensive tool is the one that doesn't get the job done at all or breaks due to bad quality when you need it the most.

It says Wallmek on the original

Watch out for look-alike copies, it says Wallmek on the original tool. These copy companies often use different colours and can claim it's the same tool, it's not even close to being the same!



WALLMEK®

INVEST IN TIME

Company profile:

Wallmek i Kungälv AB started 1978, designing and producing special tools for auto repairs. Wallmek goes all the way from idea and design to production and distribution of a high quality product to our customers.



Today, Wallmek develop and produce special tools directly to passenger car and commercial vehicles producers (OEM) and to auto shops on the aftermarket. We are really good when it comes to hydraulic tools and solution that will do the job directly on the vehicle. Also, drainage equipment to ensure safety when doing fuel tank jobs in auto shops or draining complete vehicles at the scrapyard.

As the company grows, more and more tools and solutions are put on the market thanks to our close contact with You (our customers). In short terms – We develop Wallmek in the direction of the products and solutions we are good at.

Our mission:

To develop, produce and offer cost efficient quality tools to our customers.

Important for Us:

Quality, Design, and Customer care.

Welcome to Wallmek i Kungälv AB

Yours sincerely,
Niklas Wallman CEO Wallmek i Kungälv AB

Follow us on Facebook and Instagram!
Get News, tips, and ideas first!



Labour-time



Position on vehicle

QR code to demovideo

Current issue date: 2 October 2021
Original approval(s): ISO 9001 - 2 October 2012

Entry date: 1 October 2014
Certificate identity number: 10287537

Certificate of Approval

This is to certify that the Management System of:

Wallmek i Kungälv AB

Bultgatan 18, 442 40 Kungälv, Sweden

has been approved by Lloyd's Register to the following standards:

ISO 9001:2015

Approval number(s): ISO 9001 – 00002027

The scope of this approval is applicable to:

Development, design, production and sales of special tools for vehicles repairs.

Paul Graef
Chief Operating Officer, Management Systems, MSIS
Issued by LRQA Sverige AB
for and on behalf of: Lloyd's Register Quality Assurance Limited

Lloyd's Register Group Limited, its affiliates and subsidiaries, including Lloyd's Register Quality Assurance Limited (LRQA), and their respective officers, employees or agents are individually and collectively referred to in this certificate as 'Lloyd's Register'. Lloyd's Register assumes no responsibility and shall not be liable for any errors, omissions, damage or expense caused by reliance on the information or advice in this document or otherwise provided, unless that person has agreed a contract with the relevant Lloyd's Register entity for the provision of this information or advice and in that case any responsibility or liability is excluded on the terms and conditions set out in that contract. Issued by: LRQA Sverige AB, Colindale Avenue 74, 43333 Svalövsten, Sweden for and on behalf of: Lloyd's Register Quality Assurance Limited, 1 Tinsley Park, Bickenhill Lane, Birmingham B37 7YU, United Kingdom.

Page 1 of 1

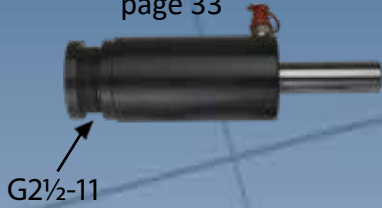
The information "patent pending", regarding patent applications for certain products in this brochure, only concerns the patent application Nos. (and markets covered by that patent application) explicitly stated in the immediate connection with patent pending indication.

With reservation for possible adjustments due to events that are out of our control, for printing errors and changes in design.

The comprehensive tool system for maximized profitability and function in the workshop. 32 - 70 tons.

Cylinder 32T

03-00028
page 33



Cylinder 45T

03-00026
page 33

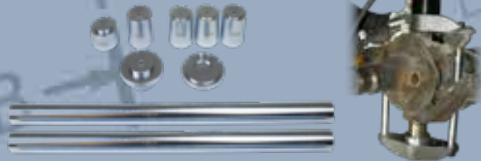


Kingpin

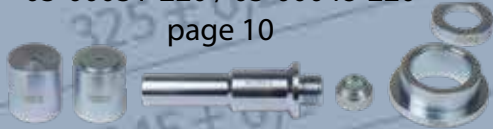
03-00031 / 03-00048
page 8-9



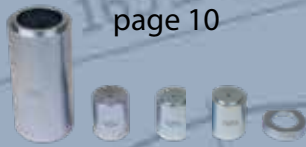
03-00031-200 / 03-00048-200
page 12



03-00031-220 / 03-00048-220
page 10



03-00031-300 / 03-00048-300
page 10



03-00006-022 page 11 03-00006-023 page 11



03-00006-024 page 11 03-00006-024 page 11

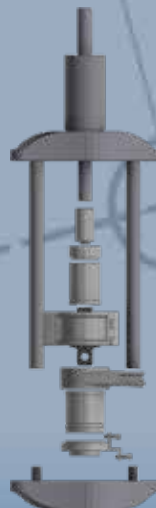
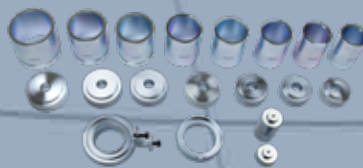


Bushings

03-00037
page 22



03-00038
page 23



Hub etc.

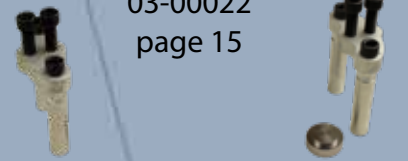
03-00016
page 14



03-00006-025
page 14



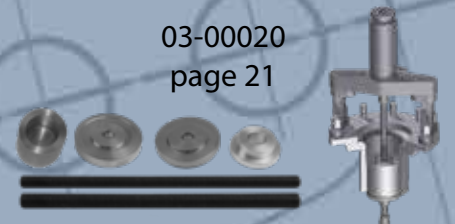
03-00022
page 15



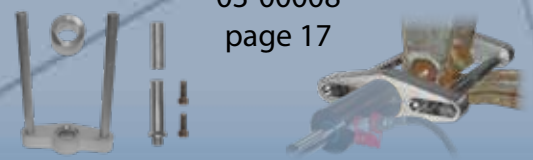
03-00027
page 15



03-00020
page 21



03-00008
page 17



Add the right power and extended functions to your system

Cylinder 8,5T

03-00015
page 35



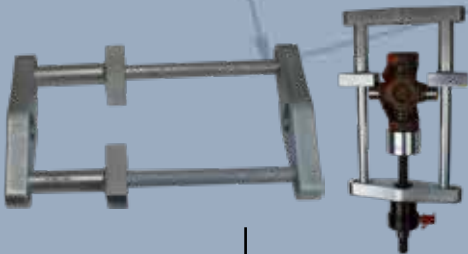
03-00014-001
page 20



03-00005-001
page 20



03-00023
page 27



03-00023-050
page 27



Cylinder 18T

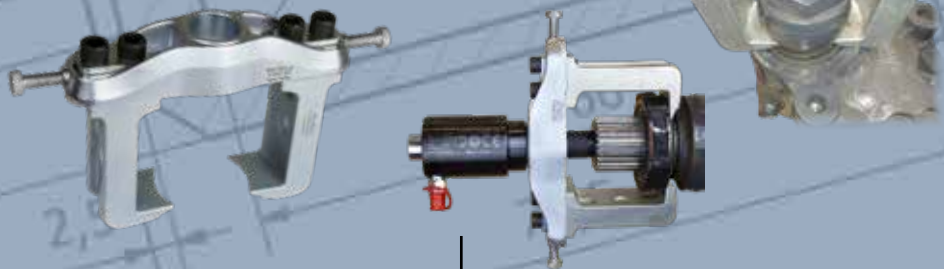
01-00030
page 34



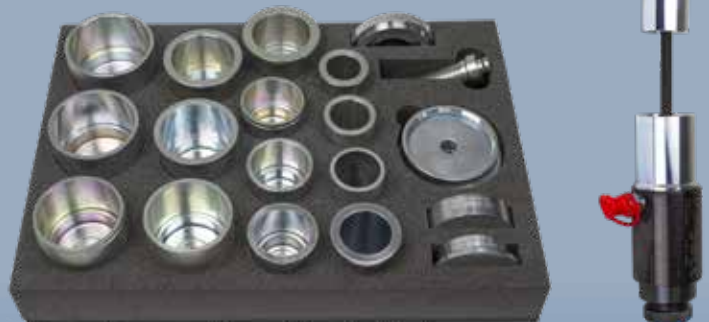
03-00035
page 28



03-00036
page 29



01-00003
page 26



Cylinder 22T

1090-02-WAL
page 34





03-00042 Wheel Popper
Wheel/Rim Puller for Heavy Duty truck, Bus and Trailer
22,5", 19,5" and 17,5" rim size.
Patent pending

03-00042-030
Rim size 22,5"



EU Patent pending No. 21160494.7

NEW

- The Rim Popper is designed for maximum efficiency and safety when pulling off seized wheels/rims.
- In just minutes the rim is pulled loose, quick and easy with very little effort by the user.
- Simple, quick, safe and problem free demounting of the rim.
- The three press rings cover truck, buss and trailer rims with the following sizes: 22,5", 19,5" and 17,5".
- There is also a set for just 22,5" rims, article nr: 03-00042-030.
- By utilising two strong bolts, one after the other, rims can be pried off with a 1/2" impact gun.

The four rim hooks are designed to fit in almost any rim ventilation hole and cope with the power needed to get the job done. The set comes in a sturdy foam that can also be fitted in our tool trolley 04-00022.

This tool is a real time and effort saver for all shops that encounter stuck and seized wheels on trucks, busses or trailers. Old fashion methods can be devastating for the staff, wheels and also the productivity in the shop. No more hard physical work with sledge hammer, prybar or heating!



I just want to say that the rim popper for HD truck/trailer and bus is super-efficient....
Patrik Larsson, Grönnäs Autoservice Sweden



The rim is loose in just minutes

- Mount the ring
- Mount the bar
- Mount hooks and chain
- Pull off with an impact gun



03-00042 - Contains these parts:

1. 03-00042-105 - Rim ring 22,5"
2. 03-00042-104 Rim ring 19,5"
3. 03-00042-103 - Adapter plate 17,5"
4. 03-00042-100 - Puller beam
5. 2 pcs 03-00042-130 - Press rod M30 complete
6. 03-00042-034 - Bracket
7. 4 pcs 03-00042-110 - Rim hook
8. 2 pcs 03-00042-107 - Chain, Class 10 Ø8mm L=1m
9. 03-00042-041 - Protection plate left
10. 03-00042-040 - Protection plate right
11. 09-874-3010 - CRC Longterm grease
12. 03-00042-044 - Extender ½" L=250mm

03-00042-030 - Contains these parts:

1. 03-00042-105 - Rim ring 22,5"
2. Not included
3. Not included
4. 03-00042-100 - Puller beam
5. 2 pcs 03-00042-130 - Press rod M30 complete
6. 03-00042-034 - Bracket
7. 4 pcs 03-00042-110 - Rim hook
8. 2 pcs 03-00042-107 - Chain, Class 10 Ø8mm L=1m
9. 03-00042-041 - Protection plate left
10. 03-00042-040 - Protection plate right
11. 09-874-3010 - CRC Longterm grease
12. 03-00042-044 - Extender ½" L=250mm

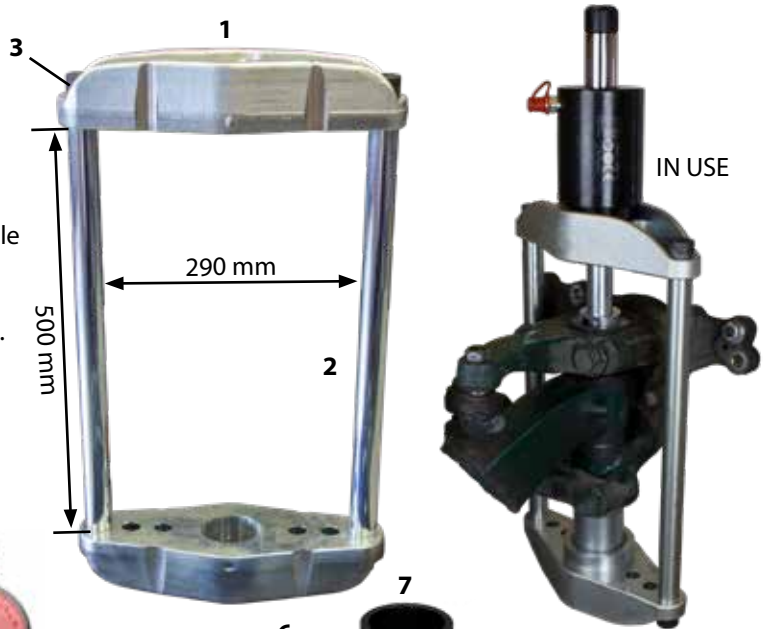




03-00031-32T/45T

Universal set for kingpin

This set is designed to cover most Kingpins on the market, also the conical types. It's used with 32/45 ton hydraulic cylinder designed with punching capability. This function makes it possible to hammer on the cylinder (with punch adapter fitted) during maximum pressure. The combination of high pressure and vibrations is very efficient and often crucial for a successful result. With this tool, heating or heavy lifting in the shop press is no longer needed. The compact design makes it possible to do the job on busses where the access is limited. The set is used with the brand specific add on kits that are also available.



EU Protected Design - RCD No. 0303068006-0001/-0002



Parts in the set 03-00031-32T:
Pressblock 03-00031-001:

1. 2 pcs 03-00031-002 Plate with thread
2. 2 pcs 03-00003-004 Support rod
3. 4 pcs 03-00003-005 Screw M22X60 12.9

Individual details in this set:

4. 03-00048-030 Adapter plate
5. 03-00048-031 Press pipe 42 mm
6. 03-00048-032 Press pipe 85 mm
7. 03-00048-033 Press pipe 130 mm
8. 03-00048-034 Press pipe
9. 03-00048-035 Press socket
10. 03-00006-020 Press axle L=30 mm Ø31mm
11. 03-00006-002 Press axle L=120 mm Ø31 mm
12. 03-00006-001 Press axle L=230 mm Ø31 mm

32T

Parts in the set 03-00031-45T:
Pressblock 03-00031-001:

1. 2 pcs 03-00031-002 Plate with thread
2. 2 pcs 03-00003-004 Support rod
3. 4 pcs 03-00003-005 Screw M22X60 12.9

Individual details in this set:

4. 03-00048-030 Adapter plate
5. 03-00048-031 Press pipe 42 mm
6. 03-00048-032 Press pipe 85 mm
7. 03-00048-033 Press pipe 130 mm
8. 03-00048-034 Press pipe
9. 03-00048-035 Press socket
10. 03-00032-001 Press axle M30, L=30, Ø38 mm
11. 03-00032-002 Press axle M30, L=140, Ø38 mm
12. 03-00048-042 Press axle L=50, Ø38 mm
13. 03-00048-043 Press axle L=70, Ø38 mm
14. 03-00048-044 Press axle L=100, Ø38 mm

45T



"Without this equipment for kingpins, we normally spend 2 – 3 days doing this job. The universal design makes it possible to do even other jobs more efficiently."
Per Klasson
Fristads Expressbyrå, Sweden

03-00048, 70 ton universal set for kingpin



Parts in the set 03-00048:

Pressblock 03-00048-020:

- 1. 2 pcs 03-00031-002 Plate with thread
- 2. 2 pcs 03-00048-024 Support rod
- 3. 8 pcs 03-00003-005 Screw M22X60 12.9

Individual details in this set:

- 4. 03-00048-030 Adapter plate
- 5. 03-00048-031 Press pipe 42 mm
- 6. 03-00048-032 Press pipe 85 mm
- 7. 03-00048-033 Press pipe 130 mm
- 8. 03-00048-034 Press pipe
- 9. 03-00048-035 Press socket
- 10. 03-00048-040 Press axle L=37, Ø38 mm
- 11. 03-00048-041 Press axle L=147, Ø38 mm
- 12. 03-00048-042 Press axle L=50, Ø38 mm
- 13. 03-00048-043 Press axle L=70, Ø38 mm
- 14. 03-00048-044 Press axle L=100, Ø38 mm

70T

NEW

This upgraded set is designed to cover most Kingpins on the market with 70 tons and punching capacity, also the conical types. It's used with 03-00044, 70 ton hydraulic cylinder designed with punching capability. This function makes it possible to hammer on the cylinder (with punch adapter fitted) during maximum pressure. The combination of high pressure and vibrations is very efficient and often crucial for a successful result. With this tool, heating or heavy lifting in the shop press is no longer needed. The compact design makes it possible to do the job on busses and trailers where access is limited. The set is used with the brand specific sets add on kits that are also available.

EU Protected Design - RCD No. 003068006-0001/-0002



03-00048-010 Upgrade set from 45T to 70T

NEW



Used with plates as indicated above.

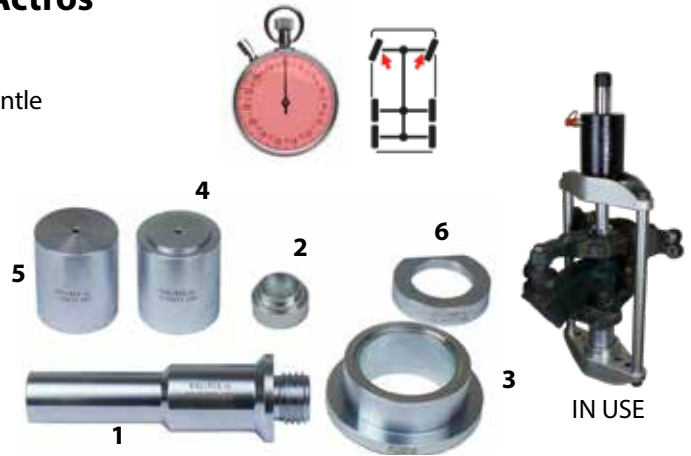
This upgraded set is designed to cover most Kingpins on the market with 70 tons and punching capacity, also the conical types. It's used with 03-00044, 70 ton hydraulic cylinder designed with punching capability. This function makes it possible to hammer on the cylinder (with punch adapter fitted) during maximum pressure. The compact design makes it possible to do the job on busses and trailers where access is limited. The set is used with the brand specific sets add on kits that are also available.

W 03-00031-220 Add on set for Mercedes Actros and Atego kingpin

The set is used with 03-00031-45T. With the set it's possible to dismantle and mount the kingpin directly on the truck axle.

Contains these parts:

- 03-00032-101 - Press axle M30. L=137 mm. Ø 29 mm
- 03-00031-221 - Guide socket
- 03-00006-022 - Dismantling collar Volvo Kingpin
- 03-00031-204 - Extender
- 03-00031-203 - Extender
- 03-00031-303 - Guide socket



03-00048-220 Add on set for Mercedes Actros and Atego kingpin

The set is used with 03-00044, 70T and universal set 03-00048. With the set it's possible to dismantle and mount the kingpin directly on the truck axle.

Contains these parts:

- 03-00048-222 - Press axle L=140 mm. Ø 29 mm
- 03-00031-221 - Guide socket
- 03-00006-022 - Dismantling collar Volvo Kingpin
- 03-00048-204 - Extender
- 03-00048-203 - Extender
- 03-00031-303 - Guide socket

70T



03-00031-300 Add on set for MAN TGA, TGX and TGS kingpin

The set is used with 03-00031-45T. With the set it's possible to dismantle and mount the kingpin directly on the truck axle.

Contains these parts:

- 03-00031-302 - Press pipe
- 03-00031-303 - Guide ring
- 03-00031-203 - Extender
- 2 pcs 03-00031-204 - Extender



03-00048-300 Add on set for MAN TGA, TGX and TGS kingpin

The set is used with 03-00044, 70T and universal set 03-00048. With the set it's possible to dismantle and mount the kingpin directly on the truck axle.

Contains these parts:

- 03-00048-302 - Press pipe
- 03-00031-303 - Guide ring
- 03-00048-203 - Extender
- 2 pcs 03-00048-204 - Extender

70T



03-00048-050 Dismantling tube Kingpin in ZF axle on buses, MB, Setra etc.



Dismantling tube with opening for the shock absorber bracket on top of the kingpin position.

The slot in the tube is needed to get access when pressing out the kingpin. After some years on the road this type of kingpin will get seized, requiring very high press force when being pressed out. The press tube is designed for pressing up to 70 T.

To be used with universal kingpin set 03-00031-32T/45T or 03-00048, 70T.

70T

NEW



03-00006-022 Press ring collar Volvo Kingpin

Is used with universal set 03-00031 or 03-00048 for fitting the lower bearing on Volvo kingpins with locknuts underneath.



03-00006-023 Mounting plate Volvo Kingpin

Is used with universal set 03-00031 or 03-00048 for pressing in Volvo kingpins with locknuts underneath. The plate guides the kingpin into position when pressing/mounting.



03-00006-024 Press socket Scania Kingpin

Is used with universal set 03-00031 or 03-00048 for pressing out Scania conical kingpins.

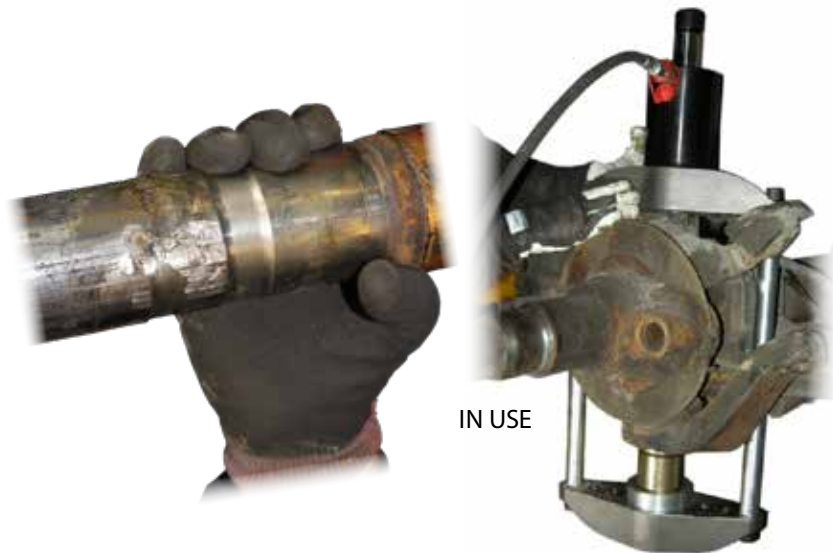


"The Wallmek tools are frequently used in our shop, we get great help every time we use them. We save a lot of time and effort with these tools, the support and service are very good every time we contact Wallmek." - Stefan Lundgren, Volvo Truck Center Helsingborg, Sweden



03-00031-200 Add on set for BPW and SAF kingpin

The set is used with 03-00031-45T.
With the set it's possible to dismantle and fit the kingpin directly on the trailer axle.



Contains these parts:

1. 2 pcs 03-00031-201 - Support rod (595 mm)
2. 03-00031-202 - Extender
3. 03-00031-203 - Extender
4. 3 pcs 03-00031-204 - Extender
5. 03-00031-205 - Press plate
6. 03-00031-206 - Press plate



1



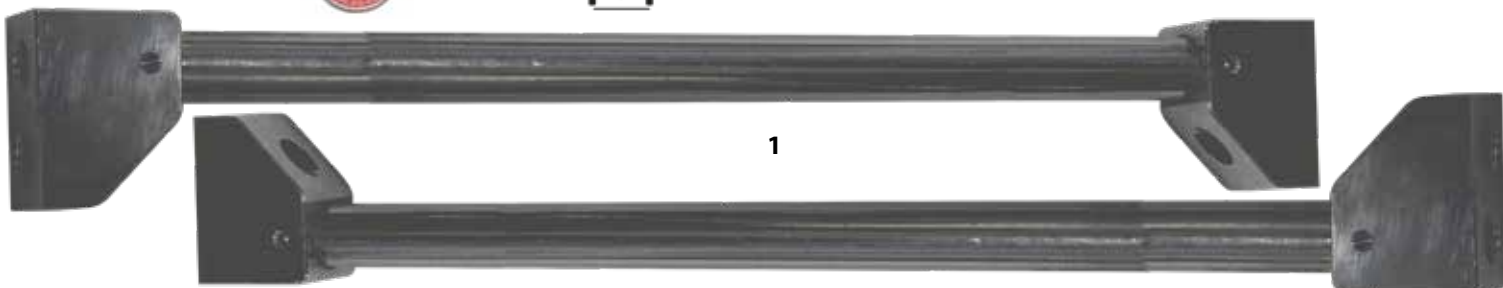
03-00048-200 Add on set for BPW and SAF kingpin

The set is used with 03-00048, 70T.
With the set it's possible to dismantle and fit the kingpin directly on the trailer axle.

NEW

"Once you start using these tools and methods you will understand how inefficient you were without them. The tools are also easy to put in the service van when we head out on the road. Our workshop is adding all new tools from Wallmek, this saves us a lot of time and the technicians are very satisfied."

Thomas Karlsson
Nimrod i Eslöv, Sweden



1

Contains these parts:

1. 2 pcs 03-00048-025 - Support rod (610 mm)
2. 03-00048-202 - Extender
3. 03-00048-203 - Extender
4. 3 pcs 03-00048-204 - Extender
5. 03-00031-205 - Press plate
6. 03-00031-206 - Press plate

70T



The original since 1978

Innovative high-quality tools will help improve your business,
COPIES WILL NOT.

Behind all innovative tools are hundreds of hours of testing and development. This way, ideas come to life to make the job easier and maximize your productivity.

WALLMEK

INVEST IN TIME

We need to patent and protect our products to help your business grow even when others try to look like us.

Thank you for pointing out destructive, dangerous copies and copy companies in our normally innovative tool community.

By choosing products from copy companies you also reduce your own shops safety and productivity in the long run. Quality and safety are the most important in a tool, bad tools will not pay off before breaking down.

WALLMEK in Kungälv

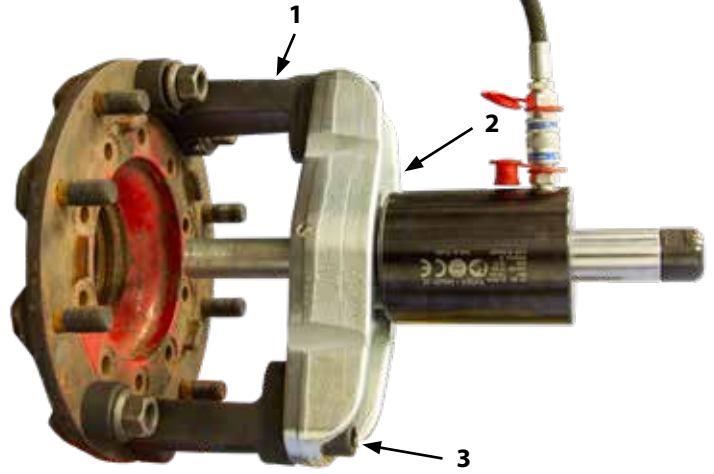
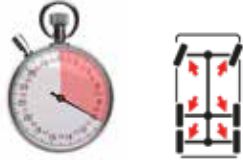


W 03-00016-32T / 03-00016-45T / 03-00016-70T

Hub puller, Bolt pattern 8/275, 10/335

This tool is flexible and fits heavy trucks/buses and trailers with 8 bolt Ø 275 mm and 10 bolt Ø 335 mm. Choose set depending on the cylinder size in use. The plate with a 2½" thread can also be used as a part in the press block 03-00031-001 and 03-00048.

The tool is used with 32 / 45 / 70 tons hydraulic cylinder 03-00028 / 03-00026 / 03-00044. The robust design even allows punching with a hammer on the cylinder during max pressure. This function makes it possible to press out hubs also with unit wheel bearings from straight axles.

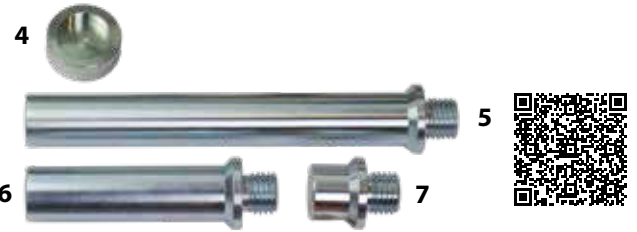


EU Protected Design - RCD No. 003068006-0001/-0002

Contains these parts: 03-00016-32T

1. 2 pcs 03-00016-001 – Press foot for hub puller
2. 03-00031-002 – Plate with thread
3. 4 pcs 03-00003-005 – Screw M22x60 12.9, hex socket
4. 03-00006-021 – Press plate
5. 03-00006-001 – Press axle 250 mm Ø31mm
6. 03-00006-002 – Press axle 140 mm Ø31mm
7. 03-00006-020 – Press axle 50 mm Ø31mm

32T



Contains these parts: 03-00016-45T

1. 2 pcs 03-00016-001 – Press foot for hub puller
2. 03-00031-002 – Plate with thread
3. 4 pcs 03-00003-005 – Screw M22x60 12.9, Hex socket
4. 03-00048-042 – Extender 50 mm Ø38mm
5. 03-00048-043 – Extender 70 mm Ø38mm
6. 03-00044-044 – Extender 100 mm Ø38mm
7. 03-00032-002 – Press axle 140 mm Ø38mm
8. 03-00032-001 – Press axle 30mm Ø38mm

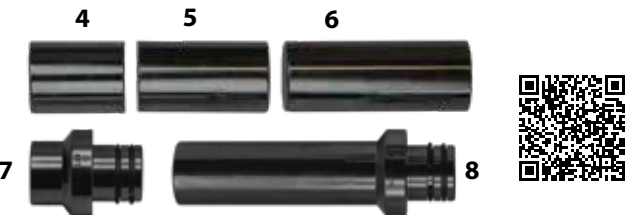
45T



Contains these parts: 03-00016-70T

1. 2 pcs 03-00016-001 – Press foot for hub puller
2. 03-00031-002 – Plate with thread
3. 4 pcs 03-00003-005 – Screw M22x60 12.9, Hex socket
4. 03-00048-042 – Extender 50 mm Ø38mm
5. 03-00048-043 – Extender 70 mm Ø38mm
6. 03-00044-044 – Extender 100 mm Ø38mm
7. 03-00048-040 – Press axle 37mm Ø38mm
8. 03-00048-041 – Press axle 147 mm Ø38mm

70T



03-00006-025 Extender for hub puller

For use with hub puller 03-00016-32T/-45T or 03-00016-70T on axels with hub reduction/gear inside the hub (4 pcs needed). M22, 50 mm. For example Scania.

70T



03-00022 Hub puller for 17,5" rims, low loader trailers with 10/225 hubs

Extension set to 03-00016 for removal of 225 mm hubs and 10 bolts, hydraulic cylinder 03-00028 (32 ton), 03-00026 (45 ton) or 03-00044 (70T) is used with the set. The heavyduty design supports a full 70 ton pressure and hammer strokes in the direction of pressure (on the cylinder) during removal. This makes it possible to remove hubs with unit bearings on straight axles.

Contains these parts:

1. 2 pcs 03-00022-001 - Plate
2. 4 pcs 03-00022-002 - Arm
3. 03-00022-003 - Thrust washer SAF Ø 73 mm
4. 8 pcs 03-00003-005 - Screws M22x60 12.9.



03-00031-002 Plate with thread for press block (not included)

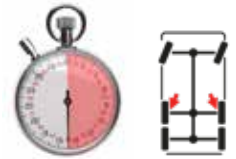
Included in universal set 03-00031-32T/45T and 03-00048.

EU Protected Design - RCD No. 003068006-0001/-0002



IN USE

70T



03-00016-011 Press plate SAF 110/88 mm

The press plate is designed for hollow wheel axles and are used when pressing hub/bearing off the axle with hub puller set 03-00016. The plate is designed to fit the accessible surfaces and also withstand the power needed for demounting the hub from the axle.



70T

03-00027-32T / 03-00027-45T Puller set with pressure rod for hubs without wheel bolts

The set makes it possible to efficiently remove rusted bearings with external hubs from straight axles. Developed for Volvo FL, MAN TGA, TGS, TGX, Mercedes Atego, Actros, Renault Kerax, Magnum, Midlum and Premium, fits also other brands with the same bolt dia. The tool is used with hydraulic cylinder 03-00028 (32 ton), 03-00026 (45 ton) or 03-00044 (70 ton).

Contains these parts:

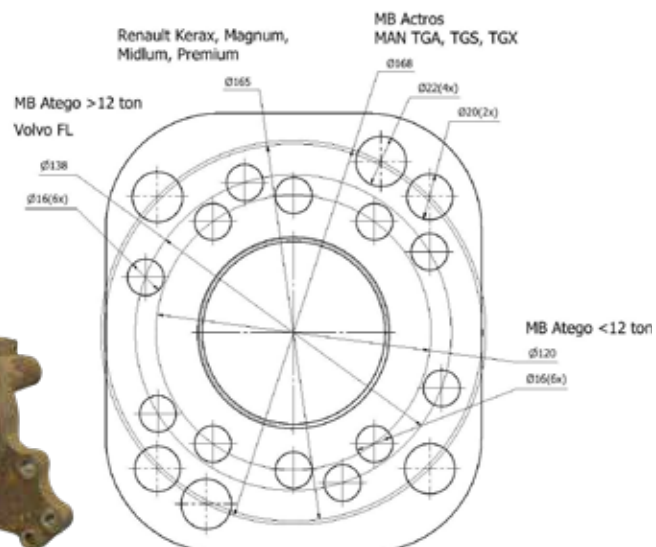
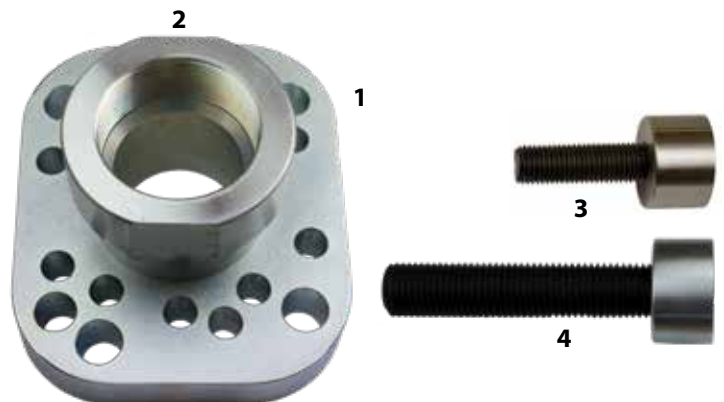
03-00027-32T

1. 03-00027-010 - Plate
2. 03-00027-012 - Adapter M82x2-G2 ½"-11
3. 03-00027-002 (M24) - Press rod

03-00027-45T

1. 03-00027-010 - Plate
2. 03-00027-012 - Adapter M82x2-G2 ½"-11
4. 03-00027-003 (M30) - Press rod

70T



IN USE



32 T

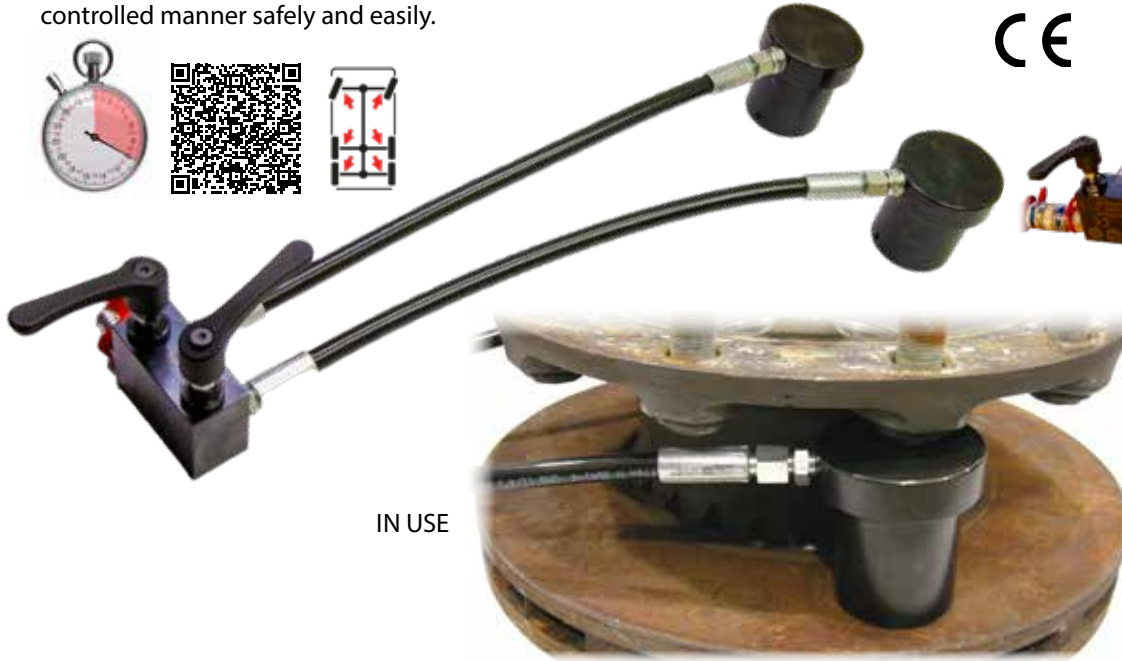


45 T

W 03-00025 Dismantling set, Volvo/Mack/Renault/DAF floating brake disc

A tool that really helps when floating brake disc needs to be removed. The brake disc is pressed out one cylinder at a time. This is very efficient and saves a great deal of time in the workshop. Using extreme pressure in the workshop press on sensitive metal parts or cutting the brake disc are both noisy and dangerous. This hydraulic cylinder does the same job in a controlled manner safely and easily.

The tool consists of two special cylinders and a control valve for crosswise pressing. Pressing out the disc in this way only takes a few minutes. Used with 1030 and 1036.



IN USE



Hublänge

MAX 40 Ton

03-00025-010 Dripfree quick coupling set for 03-00025

A quick coupling kit that increases the range of use for the tool. Individual use of hydraulic cylinders and flexible adjustment if necessary.



NEW

Contains these parts:

- 2 pcs RES4304 - Hydraulic quick coupling, female 1/4"
- 2 pcs RES4306 - Hydraulic quick coupling, male 1/4"

03-00034 Hydraulic cylinder 14 ton with hose and coupling

The compact cylinder makes it possible to separate parts, even in tight spaces where normal cylinders won't fit. This type of job is done in any automotive garage, industry or maintenance shop.

"A fantastic tool that we couldn't be without. No more heavy jobs in the shop press or time-consuming cutting in the thick brake disc. These things ruin the work environment for everyone."
- Ahmad Hassan
Volvo Truck Center Arlöv
Sweden



Contains these parts:

- 03-00019 - Hydraulic press cylinder 14T
- 03-00019-010 - Hose 0,5 m
- Res 4306 - Cejn quick-coupling hydraulic male 1/4"

Max pressure 700 bar Stroke 41 mm
 Force 14 ton Hose length 0,5 m
 Weight 2,3 kg

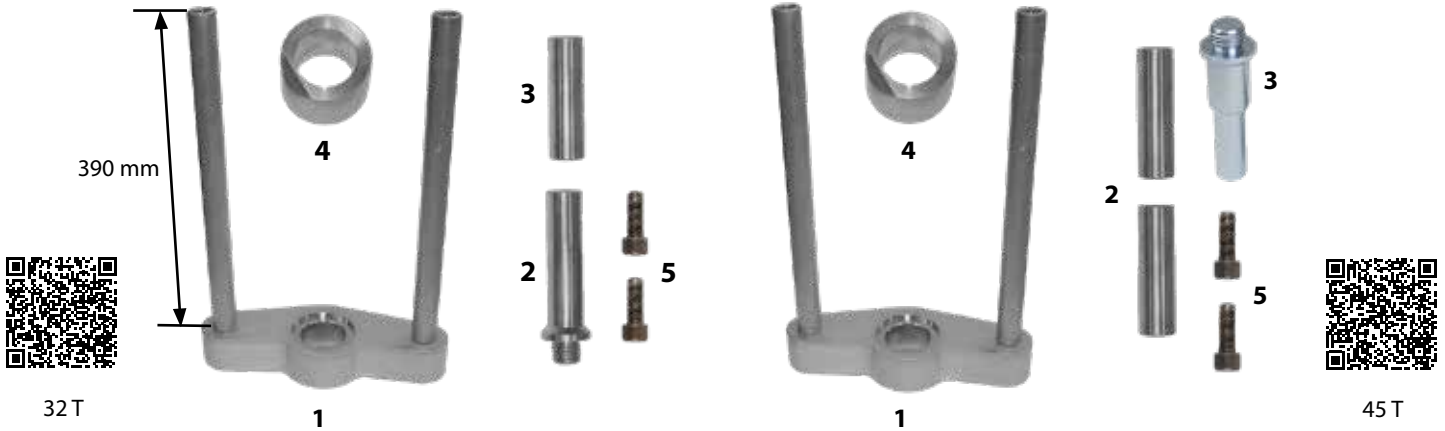


03-00008-32T / 03-00008-45T Spring bolt set (Scania)

A tool set for quick dismantling of the spring bushing bolts. The job is done directly on the truck with a minimum of part removal.

The set is used with the threaded plate 03-00031-002 from the press block 03-00003-001 (none of these are included), also designed for punching. The combination of the high pressure and vibrations is very efficient and often crucial for a successful result when pressing out the rusted bolt.

The set is used with hydraulic cylinder 03-00028 (32 ton) or 03-00026 (45 ton).



Contains these parts:

03-00008-32T

1. 03-00004-001 - Press block
- 1a. 03-00004-002 - Plate without thread
- 1b. 2 pcs 03-00004-003 - Support rod
- 1c. 2 pcs 03-00003-005 - Screw M22x60 12.9 hex
2. 03-00006-009 - Press axle 115 mm Ø29 mm
3. 03-00006-010 - Press axle 100 mm Ø29 mm
4. 03-00006-011 - Press pipe 60 mm Ø54 mm
5. 2 pcs 03-00003-005 - Screw M22x60 12.9 hex

Contains these parts:

03-00008-45T

1. 03-00004-001 - Press block
- 1a. 03-00004-002 - Plate without thread
- 1b. 2 pcs 03-00004-003 - Support rod
- 1c. 2 pcs 03-00003-005 - Screw M22x60 12.9 hex
2. 2 pcs 03-00032-102 - Press axle L=65 mm. Ø=29 mm
3. 03-00032-101 - Press axle M30. L=137 mm. Ø 29 mm
4. 03-00006-011 - Press pipe 60 mm Ø54 mm
5. 2 pcs 03-00003-005 - Screw M22x60 12.9 hex



03-00031-002 Plate with thread for press block (not included)

Included in universal set 03-000031-32T/45T or 03-00048.

EU Protected Design - RCD No. 003068006-0001/-0002



03-00040-001 Adapter M22 – M30x3,5

The adapter makes it possible to pull out M30 bushing bolts with the 32 Ton cylinder 03-00028. An appropriate press pipe is used in combination with the adapter when pulling.



03-00040-002 Adapter M22 – M27x3

The adapter makes it possible to pull out M27 bushing bolts with the 32 Ton cylinder 03-00028. An appropriate press pipe is used in combination with the adapter when pulling.

03-00040-003 Adapter M22 – M24x2

The adapter makes it possible to pull out M24 bushing bolts with the 32 Ton cylinder 03-00028. An appropriate press pipe is used in combination with the adapter when pulling.

03-00040-004 Adapter M22 – M24x3

The adapter makes it possible to pull out M24 bushing bolts with the 32 Ton cylinder 03-00028. An appropriate press pipe is used in combination with the adapter when pulling.



W 04-00028 Hydraulic ball-joint puller, 8,8 ton

New and unique design that efficiently presses out the ball joints and brake/slack adjuster on trucks, busses and trailers. Also wheel bolts are dismantled and fitted very smoothly thanks to the flexible design (see pictures below).

The press tools can be rotated for different ground heights, the two supplied distance rings provide the adjustment options required for these jobs. The anvil tool has an opening of 42 alt 57 mm depending on what side is chosen. In addition, the two tools can change position on the cylinder for superior access in tight spaces inside the wheelhouse, around sway bars or hidden steering joints on buses, etc.

The hydraulic cylinder presses up to 8.8 tons for easy, safe and smooth removal. A safety belt is supplied with the tool to prevent the tool from falling down during work.

Used with 700 bars of hydraulic pump 1030, or 1036.

Contains these parts:

1. 04-00028-021 – Press tool
2. 04-00028-022 – Anvil tool
3. 04-00028-019 – Distance ring 16 mm
4. 04-00028-020 – Distance ring 26 mm
5. 04-00028-011 – Safety strap
6. RES4306 – Hydraulic quick coupling male 1/4"

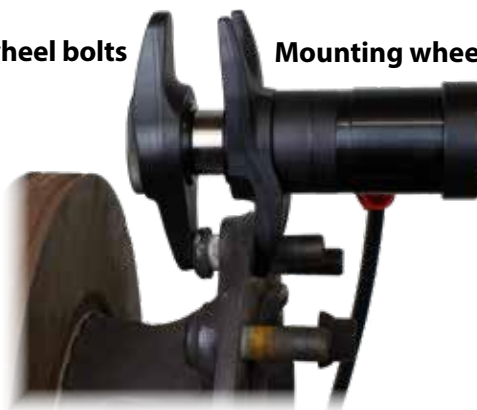
EU Patent No. EP 3424644
US Patent No. US 10.807.222



"The tools from Wallmek are world class solutions, the same with the support we get. Our staff is using the tools every day and they always work as promised. When we need new tools or maintain existing equipment, we always get quick help and service. Why do things slow, when it can be done so much faster?"
- Ahmad Hassan
Volvo Truck Center Arlöv
Sweden



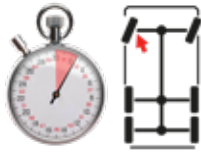
Dismantling wheel bolts



Mounting wheel bolts



03-00047 Scania NG, 2017 - Pitman / Steering rod tool



Contains these parts:

1. 03-00047-011
2. 03-00047-012
3. 03-00047-013
4. 03-00047-014
5. 03-00047-015
6. RES4016
7. 03-00015

New unique method for easy disassembly of the Pitman/steering rod ball joint on Scania Next Generation. The tool makes it possible to disassemble the ball joint quickly and easily, no disassembly is required for access. The wheels are turned 70 – 90% to the right, good access is then possible under the vehicle.

The hydraulic cylinder simply pushes the ball joint free with the help of a conical plate inside the support box. No blows or breaks are required that could otherwise adversely affect the steering gear. The tight space between the frame and ancilleries inside the steps to the cab prevents the fitting of other tools without extensive disassembly.

The kit includes an 8.5T hydraulic cylinder (03-00015, part 7) and press parts (03-00047-010, part 1-6).

NEW



03-00030 Hydraulic ball joint puller

Press clamp for demounting steering joints on trucks/buses and ball-joints on light commercial vehicles.

See also 04-00028.

This clamp is specially designed to fit most steering axles and ball-joints on light commercial vehicles, heavy trucks and buses on the market.

Contains these parts:

1. 03-00014-001 – Steering joint puller
2. 03-00015 – Hydraulic cylinder 8,5 ton



03-00014-001
Can be bought separately

03-00005-001 Automatic brake adjuster puller/steering joint on trailers

Used for pressing out rusted and seized axles from the brake adjuster. Fits most types on the market from Haldex and BPW. See also 04-00028.

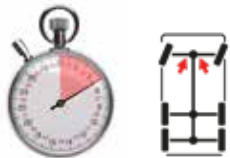
The tool is used with a 8,5 ton hydraulic cylinder 03-00015 (not included).

The design allows good access even in tight spaces on the vehicle.



04-00030 Air hammer for tie rod ends

This air hammer is developed for efficient work on tie rod ends on trucks and buses, either for replacing or only making adjustments. Vibrations in combination with rust dissolving liquid make the threads adjustable again. This version is reinforced and improved for daily use in a shop environment. 3000 rpm, vibration dampened handle and bracket for better ergonomics.



NEW VERSION



04-00031 Fixed wrench 34 mm

Powerful and slip free wrench for tie rod ends with 34 mm 6 point grip. The wrench is used in combination with the air hammer 04-00030 for adjusting or replacing the tie rod ends on truck and buses.



03-00006-012 Adapter for VBG drawbar bolts

The adapter is used with Kingpin set 03-00031, pressing out bushing bolts on VBG drawbars (not hex bolts). The bolt is pressed out in a similar way as the kingpin but with the press frame in a horizontal position.



03-00017 Press block set for pulling out fifth wheel coupling

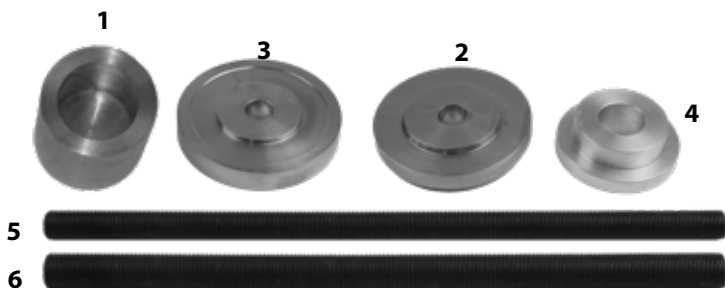
VBG 55 mm axle

With this set the complete pulling connector is pulled out from its holder when maintenance is needed. This solution saves a lot of time and efforts during dismantling. It is used with one of the following cylinders; 1090-02 or 01-00030.



03-00020-32T / 03-00020-45T Wheel bearing set (Unit) Scania

With this set a wheel bearing is replaced quickly and easily directly at the vehicle, no need to go to the shop press. The set is used with hydraulic cylinder 03-00028 32T/45T or 03-00026 and hub puller set 03-00016-32T/45T. Parts for allowing hammer punching during max pressure are also included.



IN USE

Contains these parts:

03-00020-32T

- 03-00006-026 Press socket 65 mm
- 03-00020-001 Press plate Scania unitbearing
- 03-00020-002 Press plate Scania unitbearing
- 03-00020-003 Protection socket Scania unitbearing
- RES4034 Carriage beam M22, 500 mm

Contains these parts:

03-00020-45T

- 03-00006-026 Press socket 65 mm
- 03-00020-001 Press plate Scania unitbearing
- 03-00020-002 Press plate Scania unitbearing
- 03-00020-003 Protection socket Scania unitbearing
- RES4034 Carriage beam M27, 500 mm

01-00004 Lock ring tool

A new type of lock ring tool which makes removing and refitting of wheel bearing lock rings very easy. The tool is designed to fit both passenger cars, light commercial vehicles and trucks. The adjusting screw has a 1/4" ratchet grip which provides enough power to easily remove stuck and rusted lock rings.

The grip angle between the tips will also always be correct no matter the size or position of the lock ring. This makes the tool safer, more effective and easier to use than ordinary pliers.

The tool is delivered with a total of 3 pairs specially designed tips that can easily be switched if needed.

6" for superior access.



IN USE

NEW DESIGN!

Accessories:

- 01-00004-013 Circlip pin 2,5 mm, 4pcs
- 01-00004-014 Circlip pin 3 mm, 4pcs
- 01-00004-015 Circlip pin 3,5 mm, 4pcs



Pins in position 1

Pins in position 2

Bushings

03-00037 Mounting tool for slotted bushings

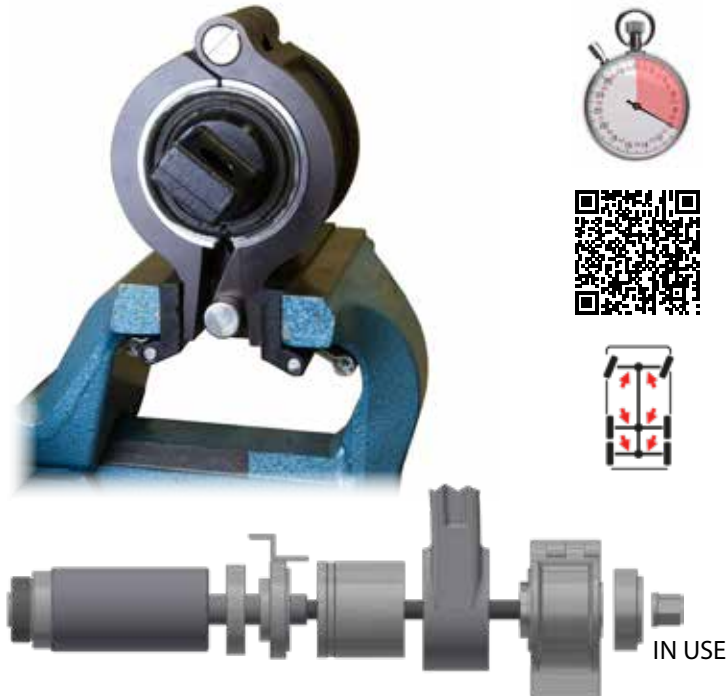
The clamp in this set is used in combination with the different adapters for compressing slotted bushings on trucks and buses. A vise is used to easily compress the bushing, a lock pin is then tapped in and locks the clamp during mounting of the bushing. No fragile bolts or threads to be used with this system!

The set fits the following sizes; 95 mm, 85 mm, 80 mm, 75 mm, 70 mm and 65 mm. This set is used with bushing set 03-00038 that includes dismantling and mounting plates and pipes in proper dimensions.



Contains these parts:

1. 03-00037-001 - Clamp Ø95 mm
2. 03-00037-065 - Adapter set Ø65 mm
3. 03-00037-070 - Adapter set Ø70 mm
4. 03-00037-075 - Adapter set Ø75 mm
5. 03-00037-080 - Adapter set Ø80 mm
6. 03-00037-085 - Adapter set Ø85 mm



03-00037-200

Adapter set for slotted bushings

Add on set for 03-00037 for the following sizes; 50 mm, 56 mm, 58 mm, 60 mm, 63 mm and 68 mm.

The set is used with bushing set 03-00038 which contains dismantling details and washer in good sizes.



NEW



Contains these parts:

1. 03-00037-050 - Adapter set Ø50 mm
2. 03-00037-056 - Adapter set Ø56 mm
3. 03-00037-058 - Adapter set Ø58 mm
4. 03-00037-060 - Adapter set Ø60 mm
5. 03-00037-063 - Adapter set Ø63 mm
6. 03-00037-068 - Adapter set Ø68 mm

03-00038 Bushing set with fixing plate

The combination of sizes on the press pipes and press plates makes the set very useful on commercial vehicles, either directly on the chassis or in the shop press. The fixing plate in the set makes it possible to fix the press pipes to the bottom of the press block. This makes the job easier, less parts needs to be centered by hand during mounting or demounting.

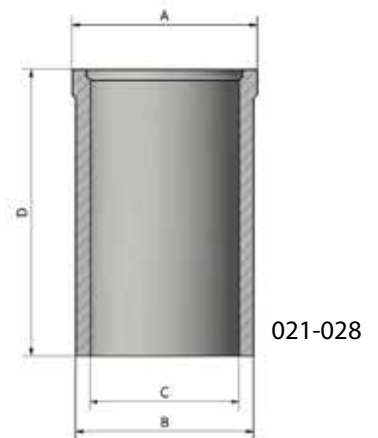
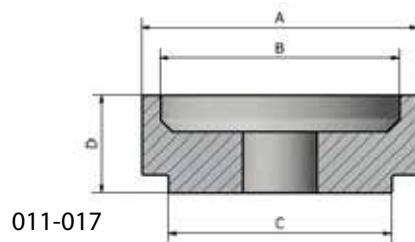
The set can be complemented with 03-00037 to get a complete solution for slotted bushings.

The set can be used with the press block 03-00031-001 or a 32 tons hydraulic cylinder 03-00028. Adapter for the cylinder is included in the set.



Contains these parts:

1. 03-00038-028 - Press pipe, A 110mm, B107mm, C96mm, D100mm
2. 03-00038-027 - Press pipe, A 93,5mm, B 91,5mm, C 88,5mm, D100mm
3. 03-00038-026 - Press pipe, A 89,5mm, B 87mm, C 73mm, D 100mm
4. 03-00038-025 - Press pipe, A 84,5mm, B 82mm, C 72mm, D 100mm
5. 03-00038-024 - Press pipe, A 79,5mm, B 77mm, C 67mm, D 100mm
6. 03-00038-023 - Press pipe, A 74,5mm, B 72mm, C 62mm, D 100mm
7. 03-00038-022 - Press pipe, A 69,5mm, B 67mm, C 57mm, D 100mm
8. 03-00038-021 - Press pipe, A 64,5mm, B 62mm, C 52mm, D 100mm
9. 03-00038-011 - Press plate, A 64,5mm, B 52,5mm, C 51,2mm, D 32mm
10. 03-00038-012 - Press plate, A 69,5mm, B 57,5mm, C 56,2mm, D 32mm
11. 03-00038-013 - Press plate, A 74,5mm, B 62,5mm, C 61,2mm, D 32mm
12. 03-00038-014 - Press plate, A 79,5mm, B 67,5mm, C 66,2mm, D 32mm
13. 03-00038-015 - Press plate, A 84,5mm, B 72,5mm, C 71,2mm, D 32mm
14. 03-00038-016 - Press plate, A 89,5mm, B 77,5mm, C 72,2mm, D 32mm
15. 03-00038-017 - Press plate, A 93,5mm, B 81,5mm, C 76,7mm, D 32mm
16. 03-00038-001 - Press adapter 30mm
17. 03-00038-002 - Press adapter 86mm
18. 03-00038-003 - Cylinder adapter (for 32 T)
19. 03-00038-004 - Fixing plate



04-00025 Adjustable press block holder

The holder makes it possible to work at any angle with the press block 03-00031-001 with a cylinder mounted to it. A gearbox lift or similar with wide wheel base can be used for the holder. The inner diameter is 25 and 30 mm.

The many positions on the flange in combination with the swiveled head maximize the access under the vehicle.

The holder is developed to be used with bushing set 03-00037 and 03-00038.

Fits directly on the press block 03-00031-001.



03-00046 Bushing set - BPW Ø119 mm & ROR Ø139 mm rubber steel bushes

This set makes replacing bushes on BPW and ROR axles with our hydraulic cylinders an easy job. This set is also available as an add-on (03-00046-050) to SAF, JOST, MB and, ROR set 03-00013 for Ø150 mm bushes of the same type.

Used with our 32 ton cylinder 03-00028 (not included)



NEW



IN USE



"An efficient tool that not just makes it simple to do the job, it's also a lot more fun."
- Stefan Lundgren, Volvo Truck Center Helsingborg, Sweden

- Contains these parts:**
- 03-00046-001 - Press plate BPW
 - 03-00046-002 - De-/mounting ring BPW/ROR
 - 03-00046-003 - Tapered mounting ring BPW
 - 03-00046-004 - Dismantling ring ROR
 - 03-00046-005 - Tapered mounting ring ROR
 - 02-00011-002 - Press sleeve
 - 03-00013-003 - De-/mounting washer
 - 1091-17-02 - Press plate

03-00046-050 Add on set - BPW Ø119 mm & ROR Ø139 mm Rubber-Steel bushes

The set is used with SAF, Jost, MB and ROR set 03-00013 for Ø150 mm bushes. The add-on set provides fast and easy replacements of bushes with hydraulic power directly on BPW and ROR axles.

Used with 32 ton hydraulic cylinder 03-00028 (not included).

- Contains these parts:**
- 03-00046-001 - Press plate BPW
 - 03-00046-002 - De-/mounting ring BPW/ROR
 - 03-00046-003 - Tapered mounting ring BPW
 - 03-00046-004 - Dismantling ring ROR
 - 03-00046-005 - Tapered mounting ring ROR



03-00013 Bushing set SAF-axle Ø150 mm

A set for quick and easy replacement of the large 150 mm bushing in SAF, MB, Jost and ROR axles. The set is used with the 32 ton hydraulic cylinder 03-00028 (not included).

Contains these parts:

1. 03-00013-001 – Tapered mounting ring 45 mm
2. 03-00013-002 – De/mounting ring 20 mm
3. 03-00013-003 – De/mounting plate
4. 1091-17-02 – Press plate
5. 1091-17-03 – Press sleeve
6. RES4034 – Carriage beam M22, 500 mm



03-00009 Spring bushing set, universal

The spring and shackle bracket bushings (44–64 mm) are quickly and easily replaced. No heating or lifting in the shop press is needed when working with this set.

This set is used with the 32 ton cylinder 03-00028 (not included).

Contains these parts:

1. 03-00048-033 – Press pipe 130 mm
2. 03-00048-031 – Press pipe 42 mm
3. 03-00006-014 – Press plate Ø63 mm
4. 03-00006-015 – Press plate Ø50 mm
5. 03-00006-016 – Press plate Ø44 mm
6. 03-00006-017 – Press plate Ø63 mm
7. 03-00006-018 – Press plate Ø57 mm
8. RES4024 – Flange nut M18
9. RES4026 – Carriage beam M18/M22, 250 mm



03-00010 Bushing set for VBG drawbars

This set is primarily designed for VBG bushings and drawbars but is also universal. The bushing is replaced using the 32 ton hydraulic cylinder 03-00028 (not included) with the unique punching function directly on the drawbar. The bushing is replaced quickly without needing to heat the part.

Contains these parts:

1. 03-00048-033 – Press pipe 130 mm
2. 03-00048-031 – Press pipe 42 mm
3. 03-00006-013 – Press plate Ø59 mm



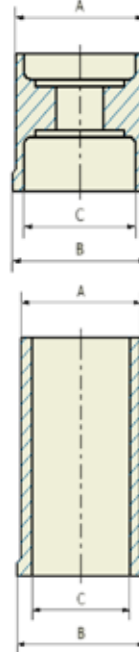
Press tool sets

01-00003 Universal press tool set 40,7-79,7 mm (set with press lids)

A flexible, well thought-out and very useful set for bushings, ball-joints, smaller bearings and more. The set consists of 29 pcs, with sizes ranging from 30,5 to 79,7 mm with small increments. An adapter and a press rod are included to be able to use press block 1090-60 and 1090-69. This is very useful when working with bushings and ball-joints without holes. The set is delivered like in the picture with a foam that holds the pieces in place, may also be wall mounted.

*Press pipes/sockets can be sold separately as set **01-00001** and the press lids can be sold separately as **01-00001-400**

Used with cylinder **01-00030** or **1090-02-WAL**



Universal set 3

001-00001-001 – Adapter plate
01-00001-002 – Adjustable press axle 90mm, M24

Press socket art:	Ø A mm	Ø B mm	Ø C mm
01-00001-101	40,7	42,5	35,2
01-00001-102	43,7	45,5	38,2
01-00001-103	46,7	48,5	41,2
01-00001-104	49,7	51,5	44,2
01-00001-105	52,7	54,5	47,2
01-00001-106	55,7	57,5	50,2
01-00001-107	58,7	60,5	53,2
01-00001-108	61,7	63,5	56,2
01-00001-109	65,7	67,5	60,2
01-00001-110	69,7	71,5	64,2

Press pipe art:	Ø A mm	Ø B mm	Ø C mm
01-00001-201	38,7	44,7	30,5
01-00001-202	41,7	44,7	34
01-00001-203	44,7	44,7	37,2
01-00001-204	47,7	55	40,2
01-00001-205	50,7	55	43,2
01-00001-206	53,7	55	46,2
01-00001-207	56,7	55	49,2
01-00001-208	59,7	70	52,2
01-00001-209	62,7	70	55,2
01-00001-210	65,7	70	58,2
01-00001-211	68,7	70	61,2
01-00001-212	71,7	70	64,2
01-00001-213	75,7	75,7	68,2
01-00001-214	79,7	79,7	72,2

Press lid art:	Dimension
01-00001-401	Press lid 45 mm
01-00001-402	Press lid 55 mm
01-00001-403	Press lid 70 mm
01-00001-404	Press lid 76 mm
01-00001-405	Press lid 80 mm



When used with a pulling rod the lid is used as a stop for the nut. The press tube is locked in the lid for easy operation. Can be used with pulling rods with size M10, M12 and M14. See page 37

Press axle 01-00001-002 (incl in set 01-00003) locks in to the press lid. The lid locks on to the press tube, easy and simple to use.



01-0001-500 Universal press tool set 28,6-40,6 mm

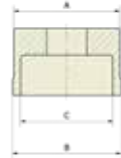
Add on set to 01-00003. The press sockets and press tubes have 1 mm size increments to fit the smallest bushing and ball joints, covering from Ø28,6mm – Ø43,6mm. To be used with M10 – M14 carriage beam or with press block 1090-69 using press axle and press lid from universal set 01-00003. The four press tubes fit on the pulling side of the following hydraulic cylinders: 18T 01-00030 and -22T 1090-02-WAL. Delivered in a storage foam, 04-00023-007.

NEW



Press tube art:	Ø A mm	Ø B mm	Ø C mm
01-00001-501	38	44,7	30
01-00001-502	40	44,7	32
01-00001-503	42	44,7	34
01-00001-504	44	55	36

Press socket art:	Ø A mm	Ø B mm	Ø C mm
01-00001-510	27,5	28,6	22,6
01-00001-511	28,6	29,6	23,6
01-00001-512	29,6	30,6	24,6
01-00001-513	30,6	31,6	25,6
01-00001-514	31,6	32,6	26,5
01-00001-515	32,6	33,6	27,6
01-00001-516	33,6	34,6	28,6
01-00001-517	34,6	35,6	29,6
01-00001-518	35,6	36,6	30,6
01-00001-519	36,6	37,6	31,6
01-00001-520	37,6	38,6	32,6
01-00001-521	38,6	39,6	33,6
01-00001-522	39,6	40,6	34,6

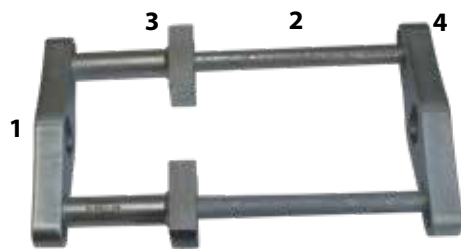


03-00023 U Joint tool

Tool for quick and easy replacement of U-joints on trucks and buses. The job is done directly on the vehicle instead of heavy lifting and handling in the garage press. No need to send away these jobs. The tool saves a lot of time and improves the working environment. Adapter sets are ordered separately. Used with 8,5 ton cylinder 03-00015 (not included).



IN USE

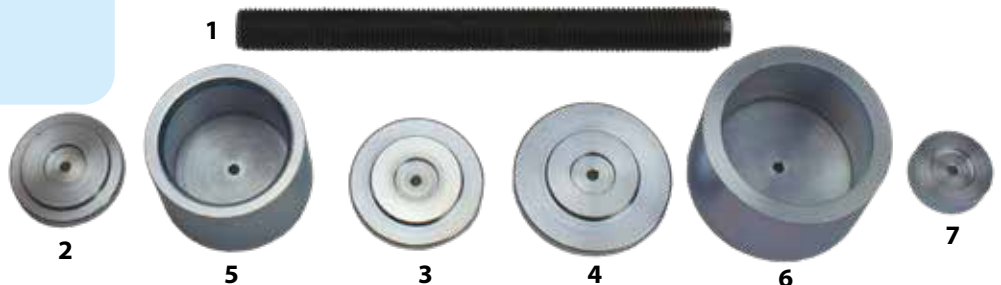


Contains these parts:

1. 2 pcs 03-00023-002 - Plate
2. 2 pcs 03-00023-003 - Rod
3. 2 pcs 03-00023-004 - Anvil
4. 4 pcs 1090-60-04 - Bolt M16x40

Contains these parts:

1. 03-00023-005 - Press axle
2. 03-00023-006 - Plate Ø47 mm
3. 03-00023-007 - Plate Ø55 mm
4. 03-00023-008 - Plate Ø65 mm
5. 03-00023-009 - Socket Ø58 mm
6. 03-00023-010 - Socket Ø68 mm
7. 03-00023-013 - Plate Ø37 mm
8. 03-00023-014 - Set of spacers



03-00023-050 Adapter set for Scania U Joints

This set is designed to fit all Scania U-joints and axles; 300, 400, 500 and 600. The job can be done with the axle partly still installed on the vehicle. The set is used with the basic tool 03-00023 and 8,5T cylinder 03-00015.

03-00035 Universal puller for transmission flange on propeller shaft

Puller for transmission flanges on prop shafts and gearboxes. When the propeller shaft bearing needs to be replaced the flange needs to be dismantled. It's used with an 18 tons hydraulic cylinder 01-00030 (not included). The entire job is completed on the vehicle without heavy lifting into a hydraulic shop press. The tool is designed for maximal adjustment and flexibility for fitting on any truck or bus axle flange. Gearboxes with retarder or other applications are also possible to fit with this tool due to its design.

Rec. cylinder 01-00030.

EU Protected Design - RCD No. 003477090-0001/0002

EU Patent No. EP3323553

US Patent No. US 10.532.450

US Design Patent No. US D850.226

Contains these parts:

1. 2 pcs 03-00035-001 - Press foot
2. 01-00041-002 - Fixing plate 1 ½" thread
3. 2 pcs 01-00041-003 - Sliding plate
4. 2 pcs 01-00018-004 - Screw
5. 4 pcs 01-00041-005 - Screw M14×45 10.9, hex
6. 03-00035-002 - Bolt set M12, hex. 4 pc
7. 03-00035-005 - Adjustable press rod M24



IN USE



03-00035-201 Thread adapter Scania M44×1,5 – M22×2,5

The adapter makes mounting of the bearing and flange a simple operation. Use a M22 rod for mounting manually or with hydraulic cylinder.



03-00035-101 Press rod Volvo FL, M20

Protects the inner thread on the axle and makes dismantling of the flange easier.



03-00036 Universal puller for prop axle/shaft bearing and pitman arm

Adjustable and universal to cover most propshaft bearings and pitman arms. Used with a 18 ton hydraulic cylinder 01-00030 (not included). The adjustable press feet are wedge shaped for better access.

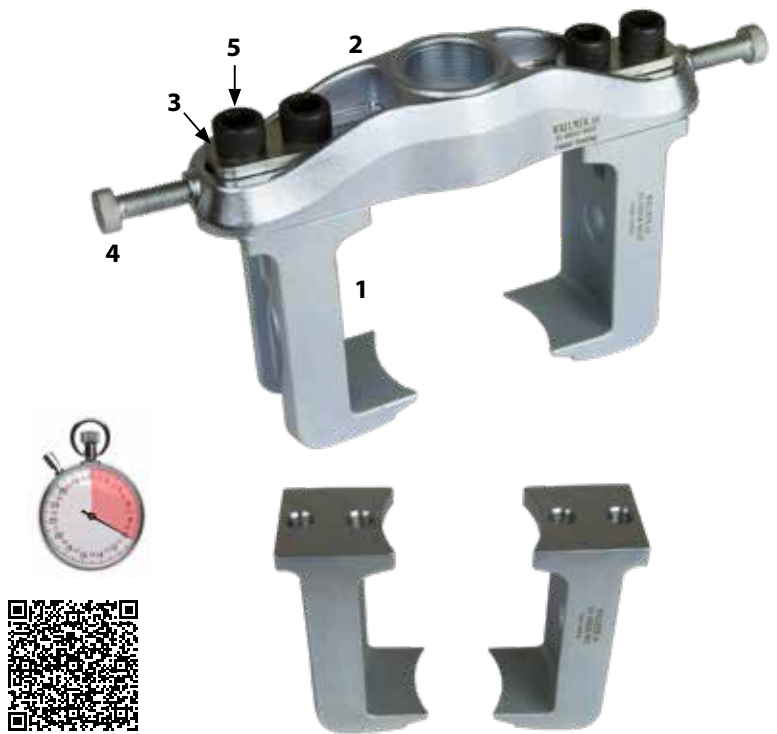
After years on the road, exposed to dirt, water and salt, parts will eventually rust and seize. Standard or manual tools are usually not strong enough to do the job. With the help from the 18 ton hydraulic cylinder with hammer function the job is made easy with a minimum of wear. Heavy and risky jobs in the shop press are also minimized with this tool.

Rec. cylinder 01-00030.

EU Patent No. EP 3168007
 EU Protected Design - RCD No. 003477090-0001/0002
 EU Patent No. EP3323553
 US Patent No. US 10.532.450
 US Design Patent No. US D850.226

Contains these parts:

1. 2 pcs 03-00036-001 - Press foot
3. 01-00041-002 Fixing plate 1 1/2" thread
4. 2 pcs 01-00041-003 - Sliding plate
5. 2 pcs 01-00018-004 - Screw
6. 4 pcs 01-00041-005 - Screw M14x45 10.9, hex



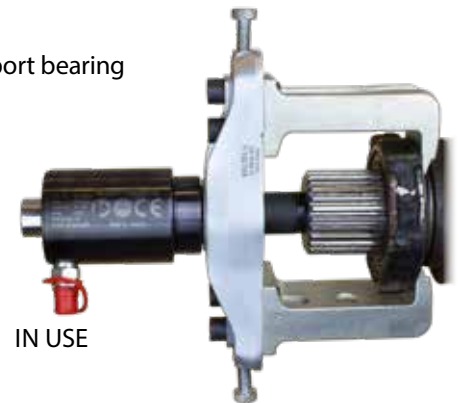
03-00036-020

"It takes longer to walk to the job than to do the job with these tools."

**-Bruno Cella, Cella Auto Repair.
 Bolton, Ontario, Canada.**



Support bearing



03-00035-300 Set with 03-00035 and 03-00036-020

For efficient dismantling of flanges and supporting bearing on propeller shafts and dismantling of pitman arms on steering gears.

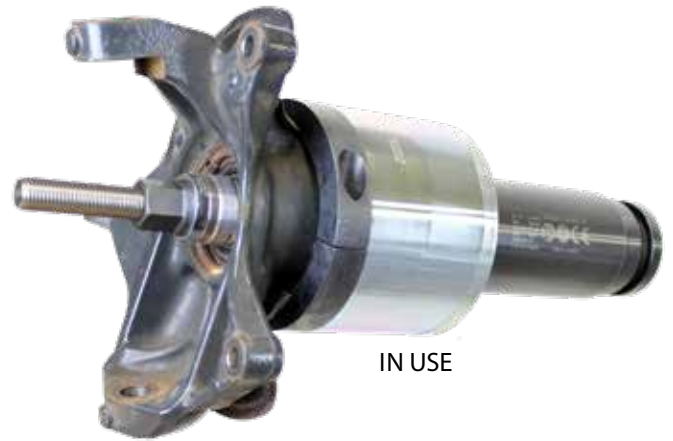
The set is delivered in a foam for practical storage.

Only foam; 04-00022-016.



02-00011 Wheel bearing set , front Iveco Daily 35 2014 –

This set makes it possible to replace the bearing directly on the vehicle with up to 32 tons pressure, total time only 30 – 40 min. ABS sensors, ball-joints etc. are left untouched with the use of a hydraulic cylinder. The specially designed press ring that is mounted behind the hub prevents any severe damage or bending in the wheel knuckle during hub removal. The set can also prepare the lock ring before removing the hub. This set can also be used in a hydraulic garage press. Rec. cylinder 03-00028.



Contains these parts:

- 1. 02-00011-001 - Press ring
- 2. 02-00011-002 - Press pipe
- 3. 02-00011-003 - Press plate
- 4. 02-00011-004 - Hub plate
- 5. 02-00011-005 - Bearing socket
- 6. 1091-17-02 - Press plate
- 7. 1091-17-05 - Bearing plate
- 8. 1091-17-08 - Press pipe

EU Protected Design - RCD No. 003995240-0001/0002



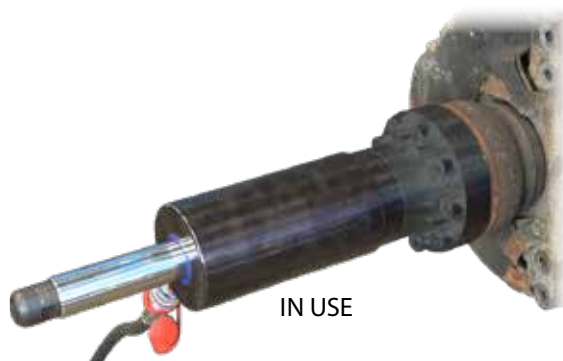
02-00011-025

Reinforced socket for dismantling the hub nut on the Iveco Daily 35. It is significantly stronger than the original socket. The 4 taps are enclosed and reinforced. Can be mounted directly on a 3/4 inch gun or a size 36 mm socket.



03-00041 Hub puller (111 mm), front, IVECO Daily 35 - 70

This tool allows removing the hub from the axle, even if it is heavily rusted and seized. This method simplifies and severely minimizes the labor time when replacing the front wheel bearings. No need to cut the hub or crack the knuckle in the shop press anymore. Fits models from 2005 - ... with 9 holes in the brake disc/rotor. 9 pcs hex bolts for safe removal are included in the set. The tool uses hydraulic cylinder 03-00028 (32 tons).



Contains these parts:

- 1. 03-00041-001 - Hub puller
- 2. 9 pcs 09-000145 - Bolt M14x55, 10.9
- 3. RES 1090-01-09 - Press foot

Why hydraulics?

Pushing and pulling cylinder ranging from 8,5-70 tons for Passenger cars to heavy duty trucks.

Quick coupling from Cejn with swiveling, drip-free connection.

M22/M27 internal thread for carriage beams and adapters. Pulling side for wheel bearings, hubs and bushings.

Punching socket that enables impact under full pressure. Each blow provides 3.5 times the pushing force to shock the part loose.

Small and compact to enable work directly on the car, which saves both time and body. The cylinders have a long stroke for great efficiency. Cylinders for passenger cars and vans weigh between 1.8 - 17 kg.

Pushing side with G1½ -11 or G2½-11 thread for various accessories. This makes it possible to push out axles, spindle joints, brake discs, etc. on the car, which saves time etc.

Advantages of hydraulic cylinders.

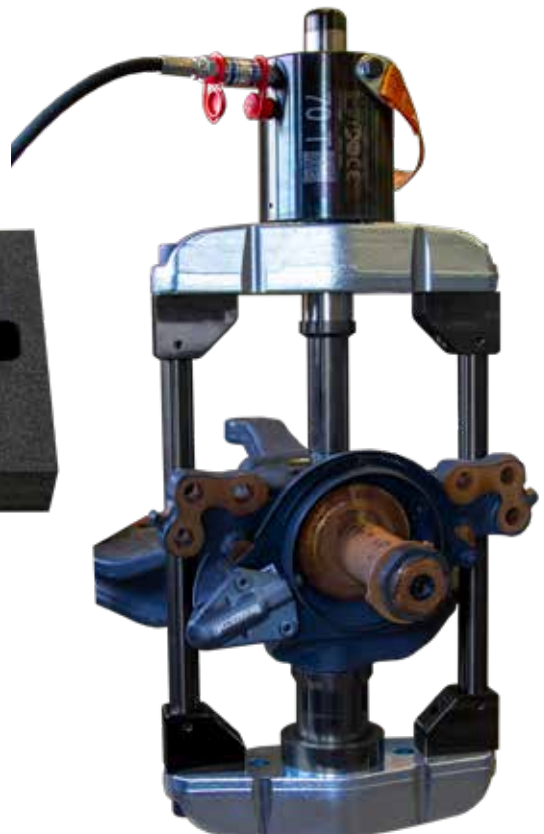
1. You can achieve a high precision and very reliable motion control.
2. Pushing and pulling - The same cylinder can be used in many applications.
3. Big power in a small format.
4. Used in our modular chassis tooling system.
5. No mechanical wear = long life!
6. Significant time savings!

03-00044 Hydraulic cylinder 70 ton

70 ton pressing and pulling cylinder. Designed for everyday use in auto repair shops. The hydraulic cylinder is delivered in a foam. Primarily for use with our hub demounting tools 03-00016, 03-00022 and 03-00027 and others. The hydraulic cylinder's pressure can be combined with punching force when using punching socket 03-00044-006. The hollow cylinder / piston allows carriage beams or threaded bars up to 33 mm.

Weight: 17 kg. Stroke: 70 mm. **Automatic return.**

NEW



Contains these parts:

- 1. 03-00044-008 - Hydraulic cylinder 70 ton
- 2. RES1090-05-04 - Thread protection cap (2 1/2")
- 3. RES4306 - Hydraulic quick coupling, male
- 4. 03-00026-006 - Punching socket M27
- 5. 03-00044-010 - Strap

Hydraulic cylinders

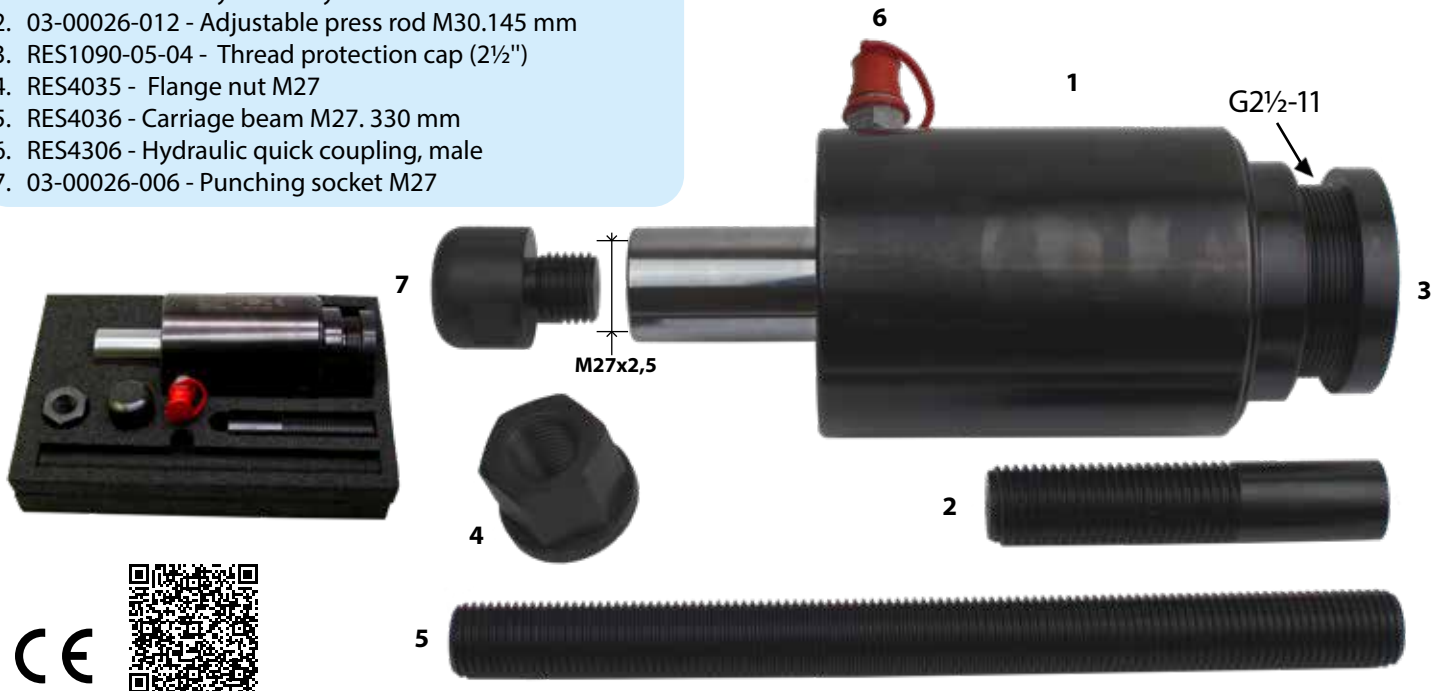
03-00026 Hydraulic cylinder 45 ton

45 ton pressing and pulling cylinder. Designed for everyday use in auto repair shops. Primarily for use with our hub dismantling and Kingpin tools 03-00016-45T, 03-00031-45T, 03-00022, 03-00027 etc. The hydraulic cylinder's pressure can be combined with punching force when using punching socket 03-00026-006. Weight: 11,7 kg.

Stroke: 70 mm. **Automatic return.**

Contains these parts:

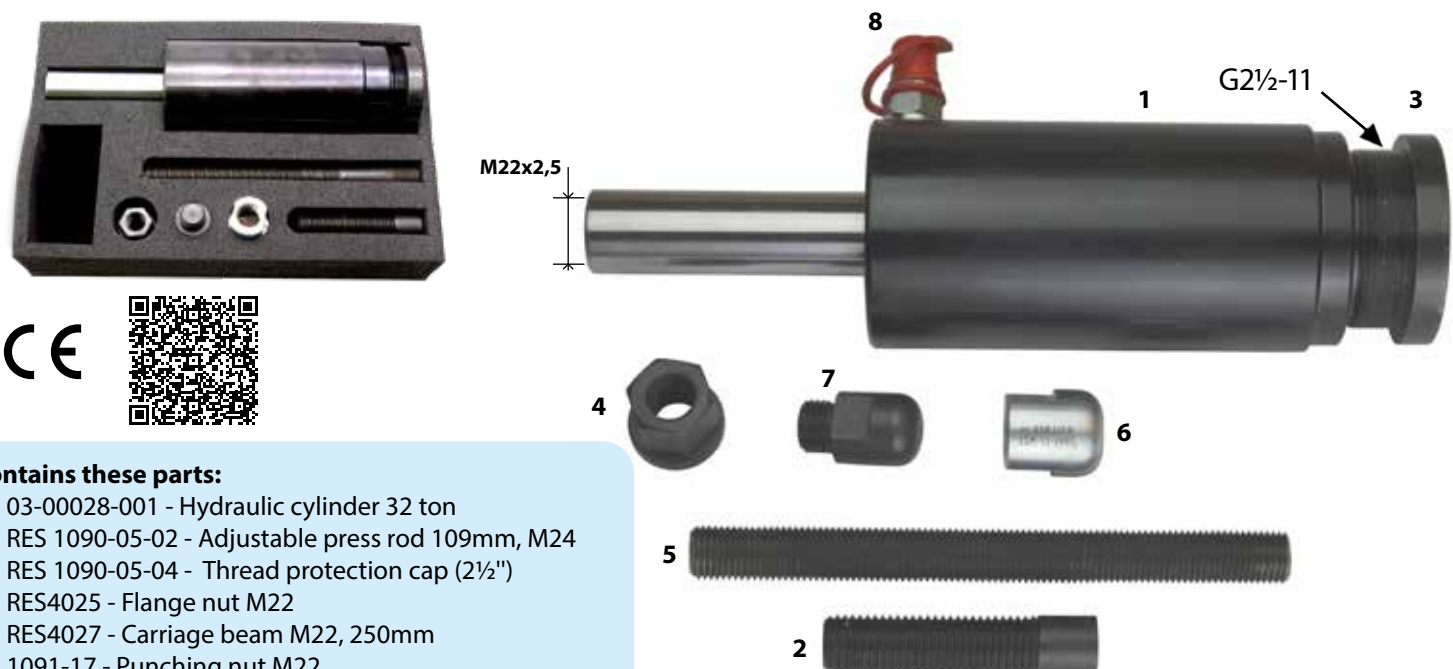
1. 03-00026-001 - Hydraulic cylinder 45 ton
2. 03-00026-012 - Adjustable press rod M30.145 mm
3. RES1090-05-04 - Thread protection cap (2½")
4. RES4035 - Flange nut M27
5. RES4036 - Carriage beam M27. 330 mm
6. RES4306 - Hydraulic quick coupling, male
7. 03-00026-006 - Punching socket M27



03-00028 Hydraulic cylinder 32 ton

32 tons pressing and pulling hydraulic cylinder. Designed for everyday use in auto repair shops. Primarily for use with our wheel bearing tools for light commercial vehicles and trucks. Can be used with carriage beams M10-M22 with the proper adapter. The cylinder's hydraulic pressure can be combined with punching force when using punching socket 1086-6 or punching nut 1091-17-M22. Weight: 8,2 kg. Stroke: 112 mm.

Automatic return.



Contains these parts:

1. 03-00028-001 - Hydraulic cylinder 32 ton
2. RES 1090-05-02 - Adjustable press rod 109mm, M24
3. RES 1090-05-04 - Thread protection cap (2½")
4. RES4025 - Flange nut M22
5. RES4027 - Carriage beam M22, 250mm
6. 1091-17 - Punching nut M22
7. 1086-6 - Punching socket M22
8. RES4306 - Hydraulic quick coupling, male

1090-02-WAL Hydraulic cylinder 22 ton

22 tons pressing and pulling hydraulic cylinder in a compact size with automatic return of piston. Designed for everyday use in auto repair shops. Can be used with all of our passenger car tools and carriage beams M10-M22 with the proper adapter. The cylinders hydraulic pressure can be combined with punching force when using the punching socket 1086-6. For example when pressing a rusted axle shaft. Weight: 4,7 kg. Stroke: 70 mm. **Automatic return.**

Contains these parts:

1. 1-1090-02 - Hydraulic cylinder 22 ton
2. 1086-6 - Punching socket M22x2,5
3. RES 1090-01-09 - Press plate M24x3
4. RES 1090-01-10 - Adjustable press rod 100mm, M24
5. 09-1090-01-11 - Thread protection cap (1½")
6. RES 1090-02-04 - Press axle 151mm, M24x3
7. RES 1090-05-02 - Adjustable press rod 109mm, M24
8. RES4024 - Flange nut M18
9. RES4026 - Carriage beam M18/M22, 250mm
10. RES4306 - Hydraulic quick coupling, male



01-00030 Hydraulic cylinder 18 ton

18 tons compact and light hydraulic cylinder, with pressing and pulling action and self returning piston. Designed for everyday use in auto repair shops. Can be used with all of our passenger car tools and carriage beams M10-M22 with the proper adapter. The cylinders hydraulic pressure can be combined with punching force when using the punching socket 1086-6. For example when pressing a rusted axle shaft. Weight: 2,8 kg. Stroke: 50 mm. **Automatic return.**

Contains these parts:

1. 01-00030-001 - Hydraulic cylinder 18 ton
2. Res 4306 - Hydraulic quick coupling
3. Res 4026 - Carriage beam M18/M22, 250mm
4. Res 1090-01-09 - Press plate M24x3
5. Res 4024 - Flange nut M18
6. 1086-6 - Punching socket M22x2,5
7. Res 1090-01-10 - Adjustable press rod 100mm, M24
8. Res 1090-01-12 - Adjustable press rod 132mm, M24
9. 01-00030-005 - Press rod
10. 09-1090-01-11 - Thread protection cap (1½")

EU Patent No. EP 3156179
US Patent No. US 10.047.772



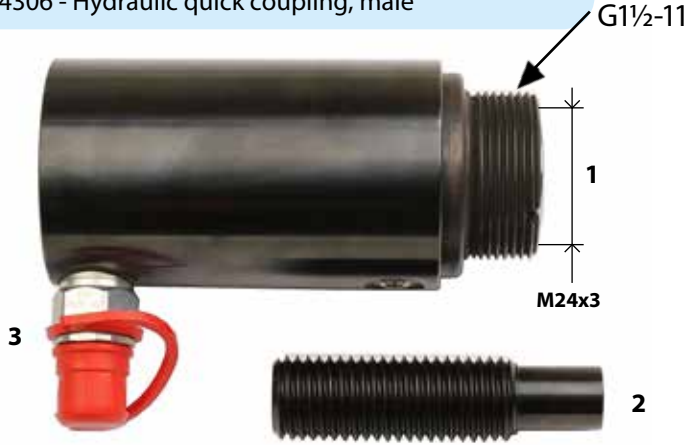
1090-03 Hydraulic cylinder 14 ton

14 tons pressing hydraulic cylinder in a very compact size. Designed for everyday use in auto repair shops. Specially designed to use with press blocks 1090-55-B, 1090-60 and 1090-69.

Weight: 2,5 kg. Stroke: 55 mm. **Automatic return.**

Contains these parts:

1. 1-1090-03 - Hydraulic cylinder 14 ton
2. RES 1090-01-10 - Adjustable press rod 100mm, M24
3. RES4306 - Hydraulic quick coupling, male



03-00015 Hydraulic cylinder 8,5 ton

A very compact cylinder for pressing and pulling. The cylinder comes with an adjustable press rod and a punching socket. This cylinder is very flexible and easy to use also in tight spaces.

Specially designed to be used with 03-00014-001 and 03-00005-001.

Weight: 1,8 kg. Stroke: 25 mm. **Automatic return.**

Contains these parts:

1. 03-00015-001 - Hydraulic cylinder 8,5 ton
2. 03-00015-006 - Punching socket with o-ring
3. 03-00015-012 - Adjustable press rod 100mm, M22 x 2,5
4. RES4305 - Hydraulic quick coupling, male, 1/8"



03-00015-020 Press plate M22

Fits the press side of the 8,5 Ton hydraulic cylinder 03-00015.

The press plate can be used instead of the adjustable press axle delivered with the cylinder.



Accessories for Hydraulic cylinders



Adapters for other tool systems

1. **1068-04** Adapter 1 ½" to 2 ¼" – 14UNS (Klann thread)
2. **1068-05** Adapter 1 ½" to G2 ½" – 11 (16 and 22 ton cylinder - 32 tons cylinder thread)
3. **1068-06** Adapter 2 ¼" – 14UNS (Klann thread) to 1 ½"
4. **1068-07** Adapter 1 ½" to M55x1,5 (Volvo thread)
5. **1068-08** Adapter 1 ½" to M68x2 (Paschke thread)
6. **1068-09** Adapter M68x2 (Paschke thread) to 1 ½"
7. **1068-10** Adapter 2 ¾" – 16UNS G2 ½" (Klann thread) to 2 ½"
8. **1068-11** Adapter 2 ¾" – 16UNS G1 ½" (Klann thread) to 1 ½"

1086-6 Punching socket M22

To be used on the piston side of the cylinder when pressing out axle shafts etc. The punching socket allows striking by a hammer in the cylinders press direction. Depending on hammer size, the extra force is similar as 2,5 – 3,5 times more power than the cylinder power itself.



04-00021 Cylinder holder Ø65-100 mm

Developed for use with the following cylinders; 1090-02-WAL, 1090-03 and 03-00028/ 01-00030. The holder is designed for use on the cylinders with hand held use and for use on a floor stand or gear box lift. Adjusting and locking of the cylinder is very easy and flexible for simple use. Also other cylinder brands and types from Ø65 – 100 mm can be mounted in the holder.

Fits gearbox lift and floor stands with axles measuring from 25 - 30 mm.

Contains these parts:

- 04-00021-001 - Holder without clamps
- 04-00021-013 - Clamp Ø70 mm
- 04-00021-014 - Clamp Ø85 mm
- 04-00021-015 - Clamp Ø100 mm

Use with cylinder:

- 1090-01 (16 T)
- 1090-02 (22 T)
- 1090-03 (14 T)
- 03-00028 (32 T)
- 01-00030 (18 T)



01-00031 Punching nut

When punching force is needed for pulling with our hydraulic cylinders. Useful for hubs and wheel bearing removal. M18 version can also be used with the manual carriage beam 01-00020. Depending on hammer size, the extra force is similar as 2,5 – 3,5 times more power than the cylinder power itself.

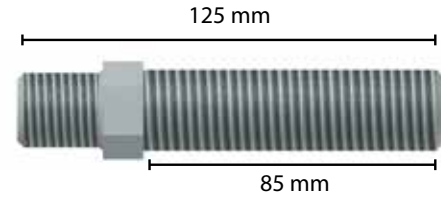
Available in the following:

01-00031-018	Punching nut M18
01-00031-020	Punching nut M20
01-00031-022	Punching nut M22



RES4031

Carriage beam M22/M24. A specially designed adapter for pulling out the bolts in digging and lifting arms. The beam can be used with the following cylinders: 01-00030/1090-02-WAL/03-00028.



1090-32 Carriage beam, flange nut & adapter set

Set of carriage beams, flange nuts and adapters.

Contains these parts:

1090-32-10



RES4014

Carriage beam M10, 150 mm in 12.9 quality.



RES4012

Adapter M22 → M10



RES4023

Flange nut M10

1090-32-12



RES4015

Carriage beam M12, 250 mm in 12.9 quality.



RES4011

Adapter M22 → M12



RES4022

Flange nut M12

1090-32-14



RES4016

Carriage beam M14, 250 mm in 12.9 quality.



RES4010

Adapter M22 → M14



RES4021

Flange nut M14

1090-32-18



RES4026

Carriage beam M18/M22, 250mm in 12.9 quality.



RES4024

Flange nut M18

1090-32-22



RES4027

Carriage beam M22, 250mm in 12.9 quality.



RES4025

Flange nut M22



RES4036

Carriage beam M27, 330 mm in 10.9 quality.



RES4035

Flange nut M27



RES4042

Carriage beam M22/M20, 330 mm in 12.9 quality.



RES4043

Flange nut M20



RES4037

Carriage beam M27, 500 mm in 10.9 quality.



RES4008

Adapter M27 → M24



RES4039

Adapter M27 → M22



RES4009

Adapter M22 → M18

04-00008-001 Carriage beam M10, 1000 mm

Produced in 12.9 Quality, also available for order in 500mm lengths.

04-00008-002 Carriage beam M12, 1000 mm

Produced in 12.9 Quality, also available for order in 500mm lengths.

04-00008-003 Carriage beam M14, 1000 mm

Produced in 12.9 Quality, also available for order in 500mm lengths.

04-00008-004 Carriage beam M22, 1000 mm

Produced in 12.9 Quality, also available for order in 500mm lengths.

04-00008-005 Carriage beam M18, 1000 mm

Produced in 12.9 Quality, also available for order in 500mm lengths.

04-00008-007 Carriage beam M27, 1000 mm

Produced in 10.9 Quality, also available for order in 500mm lengths.



2,2 m hose and drip-free quick coupling with locking function. The core is protected with double wire braids for extra safety and longevity.



Build pressure



Release pressure

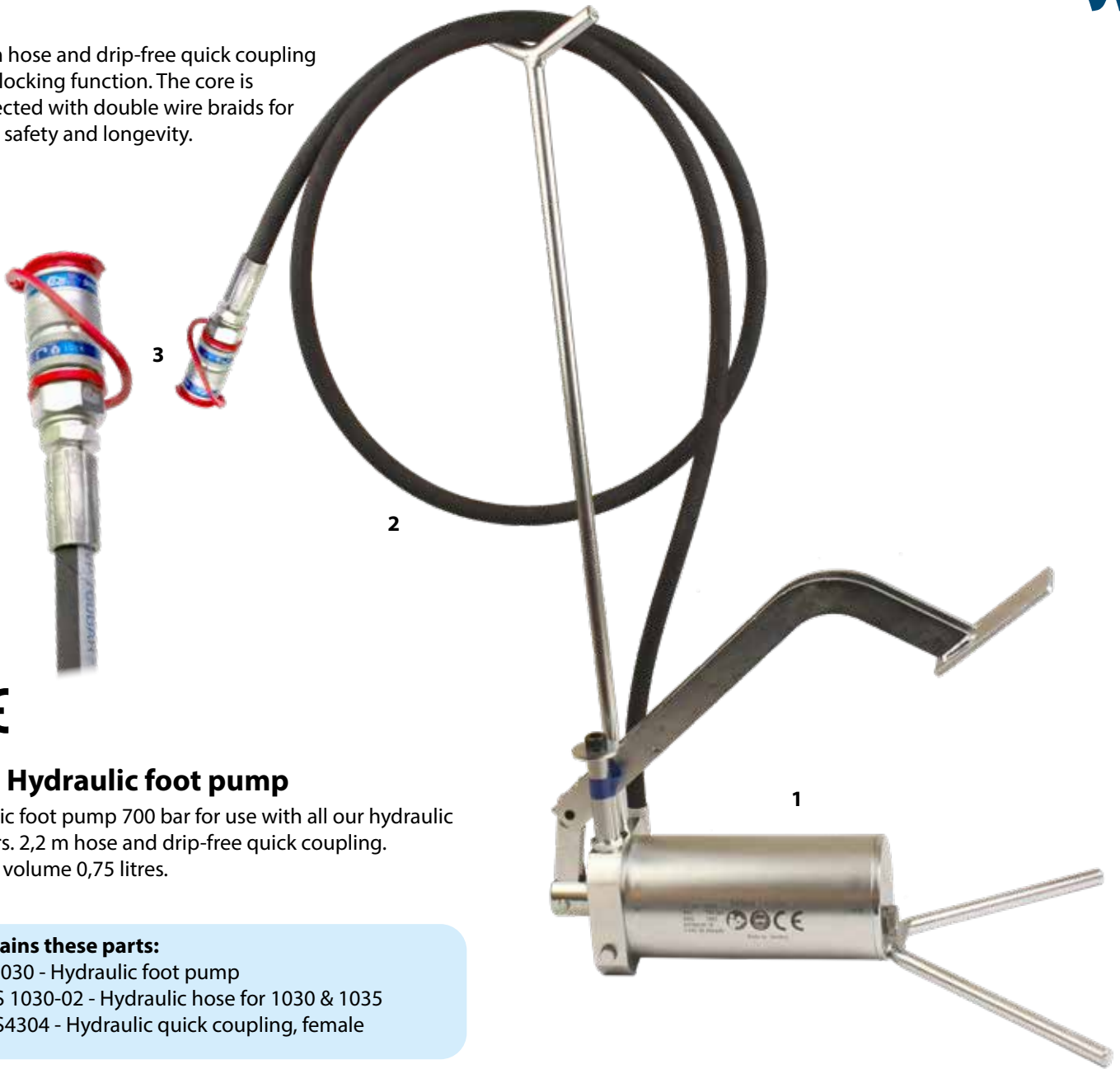
- Contains these parts:**
- 1. 1-1036 - Pneumatic, variable hydraulic pump
 - 2. RES 1030-02 - Hydraulic hose for 1030, 1035 & 1036
 - 3. RES4304 - Hydraulic quick coupling, female
 - 4. 1036-10 Connecting hose, air
 - 5. 04-00003 Pressure gauge 0-800 bar, hydraulic

1036 Pneumatic, variable hydraulic pump



Pneumatic driven hydraulic pump with variable speed for better control. Max pressure 700 bar for use with all our hydraulic cylinders. The pump is delivered with a pressure gauge and 2,2 m hose and drip-free quick coupling. Oil tank volume 1,3 litres.

2,2 m hose and drip-free quick coupling with locking function. The core is protected with double wire braids for extra safety and longevity.



1030 Hydraulic foot pump

Hydraulic foot pump 700 bar for use with all our hydraulic cylinders. 2,2 m hose and drip-free quick coupling. Oil tank volume 0,75 litres.

Contains these parts:

- 1. 1-1030 - Hydraulic foot pump
- 2. RES 1030-02 - Hydraulic hose for 1030 & 1035
- 3. RES4304 - Hydraulic quick coupling, female



04-00020 Hydraulic oil 1 L

High quality hydraulic oil, optimal for Wallmek's hydraulic tools and pumps. Regular hydraulic oil change and correct volume increases the operation time of the components.

ISO VG 32



04-00016 Pressure gauge for hydraulic pumps 1030

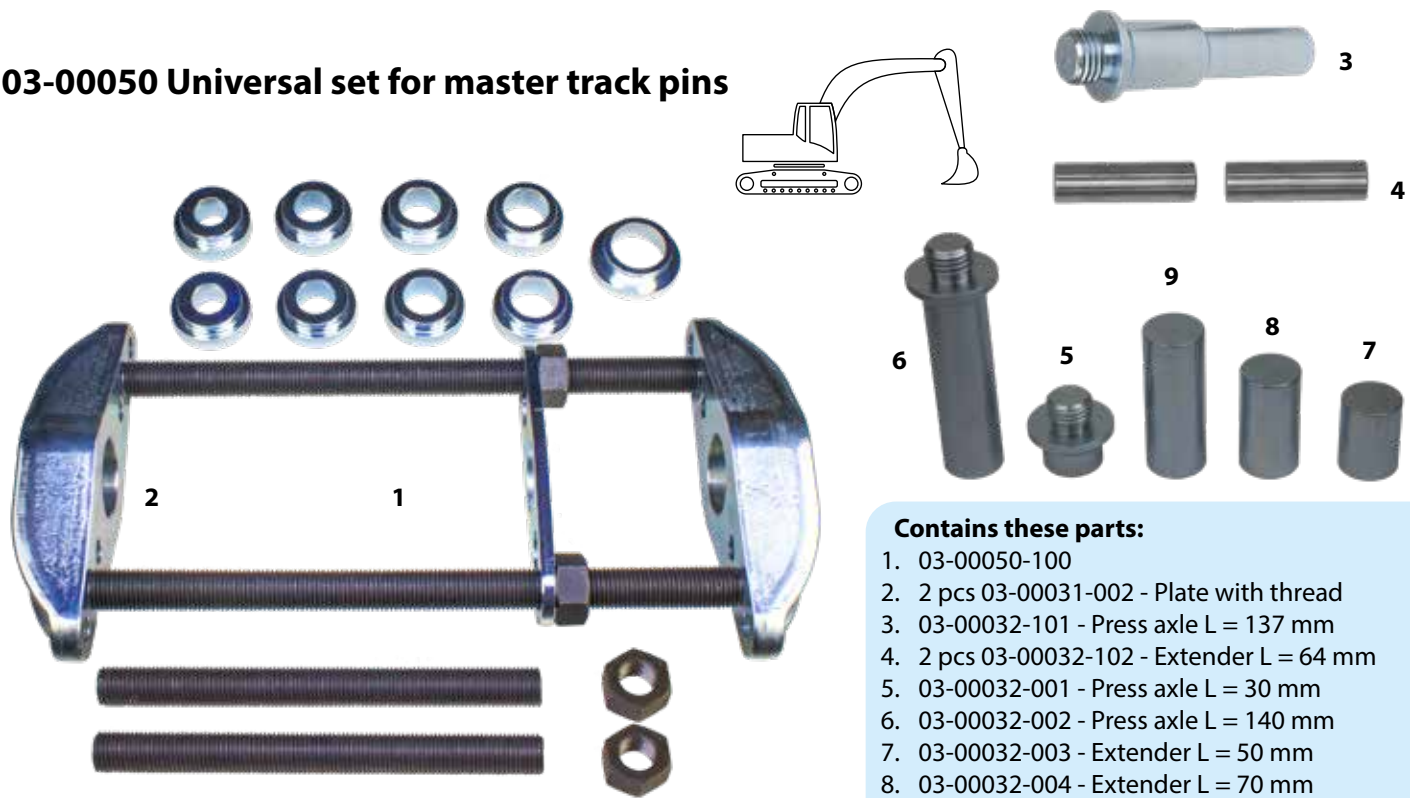
Complete kit with coupling and nipple for connecting directly to any Wallmek hydraulic pumps. The hydraulic cylinders manual. Includes a chart that shows the maximum oil pressure in bars for each different carriage beam.



04-00015 Safety cover with catch strap

Additional item for hydraulic operation directly on the car. Prevents damage if parts brakes or falls down.

03-00050 Universal set for master track pins



Contains these parts:

1. 03-00050-100
2. 2 pcs 03-00031-002 - Plate with thread
3. 03-00032-101 - Press axle L = 137 mm
4. 2 pcs 03-00032-102 - Extender L = 64 mm
5. 03-00032-001 - Press axle L = 30 mm
6. 03-00032-002 - Press axle L = 140 mm
7. 03-00032-003 - Extender L = 50 mm
8. 03-00032-004 - Extender L = 70 mm
9. 03-00032-005 - Extender L = 100 mm

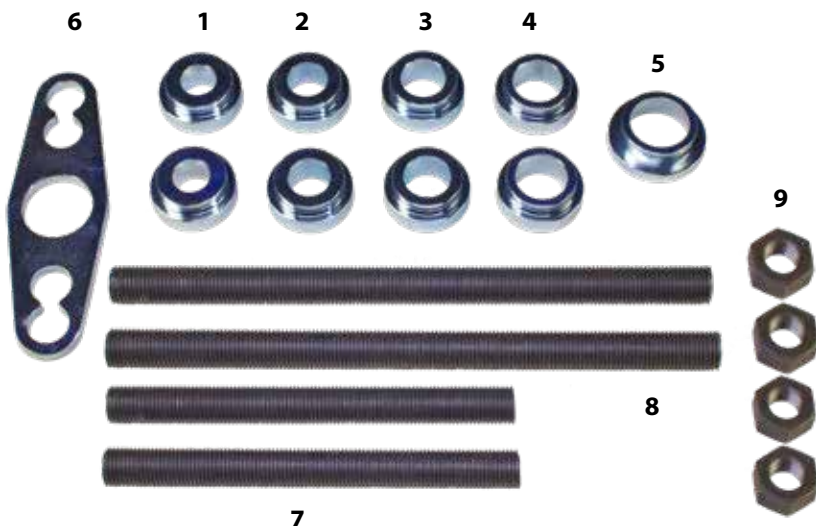
This set is primarily developed for disassembly and assembly of master track pins. With our 45 T hydraulic cylinder 03-00026 and hammer function the effect on the pin will be a full 157 Ton during disassembly. The tool is clamped onto the track with the help of the fixing plate and the job can be performed by one mechanic without extra help. All parts are manageable in terms of weight and easy to mount on the machine. This makes the tool very portable and flexible for both the workshop and the field. Internal dimensions of adapters for pins: Ø35, 39, 45.4, 48.2mm. Recommended cylinder 03-00026, 45 Ton (not included).

03-00050-100

To be used with 2 plates with thread 03-00031-002 and press axle set 03-00032-050

The Universal set is also available as an add-on set, which comes without the two forged threaded plates 03-00031-002 and press axle set. Good upgrade for those who already have these extenders and pressaxles.

Reccommended cylinder 03-00026, 45 Ton (not included).

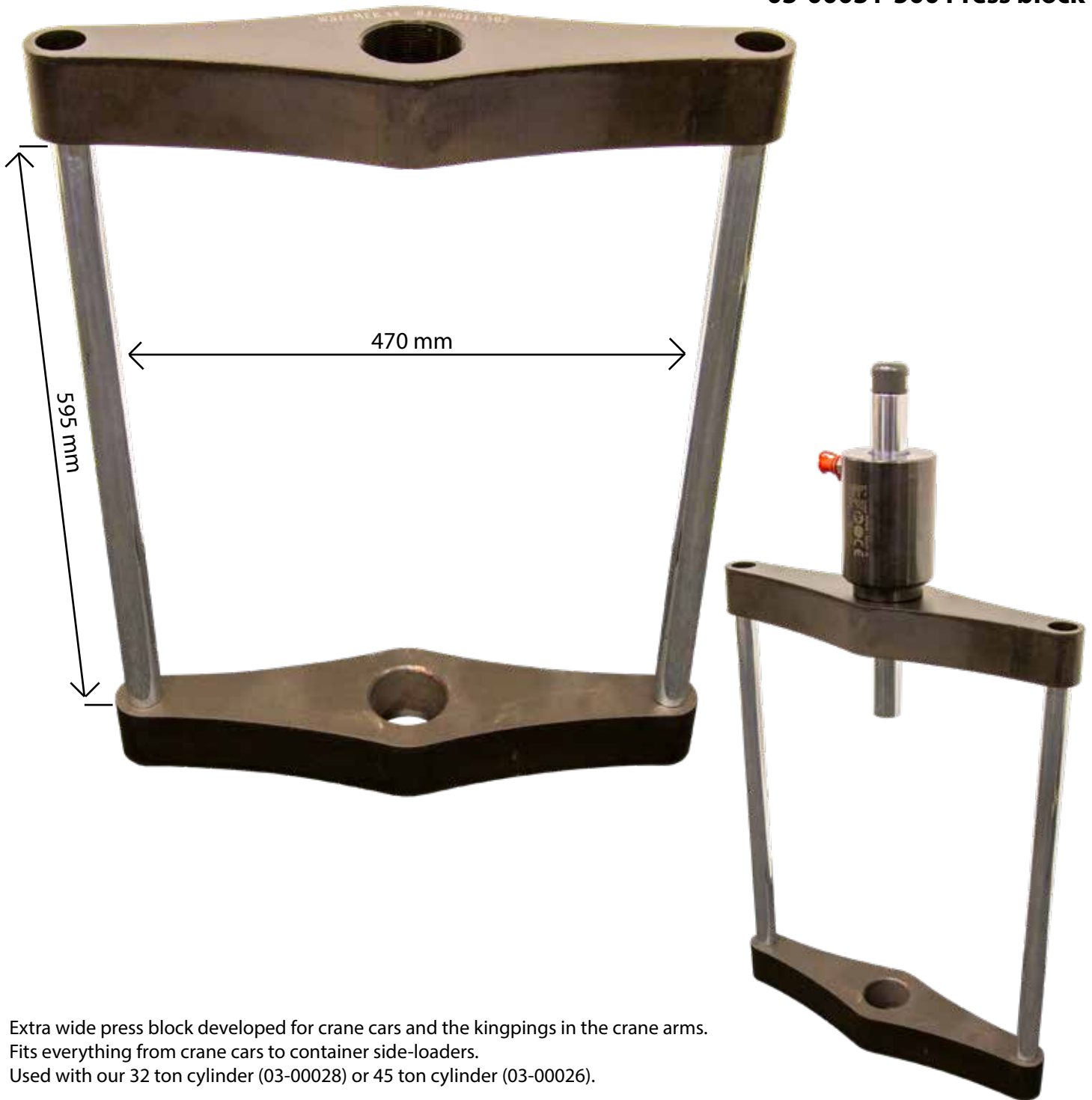


Contains these parts:

1. 2 pcs 03-00050-001 - Press adapter, inside Ø35 mm
2. 2 pcs 03-00050-002 - Press adapter, inside Ø39 mm
3. 2 pcs 03-00050-003 - Press adapter, inside Ø45,4 mm
4. 2 pcs 03-00050-004 - Press adapter, inside Ø48,2 mm
5. 03-00050-005 - Adapter
6. 03-00050-006 - Fixing plate
7. 03-00050-007 - Threaded support rod, L = 383 mm
8. 03-00050-008 - Threaded support rod, L = 557 mm
9. 4 pcs 09-000196 - Nut M36



03-00031-500 Press block



Extra wide press block developed for crane cars and the kingpins in the crane arms.
Fits everything from crane cars to container side-loaders.
Used with our 32 ton cylinder (03-00028) or 45 ton cylinder (03-00026).

The press block will fit these support rods as well:

03-00004-003 390 mm support rod

03-00003-004 500 mm support rod



Contains these parts:

1. 2 pcs 03-00031-502 - Fixing plate extra wide, threaded
2. 2 pcs 03-00031-201 - Support rod 595 mm
3. 4 pcs 03-00003-005 - Screw M22x60 12.9, ob, allen

03-00021-020, 32T

Universal basic set for commercial truck and bus garages

This set comes with the tools needed for straight and conic kingpins, **spring bushings**, drawbars and large lock rings. Demounting tools for steering joints, wheel bolts, wheel hubs and slack adjusters.



03-00021-020, 32T
Contains these parts:

1. 2 pcs 03-00016-001 - Press foot for hub puller
2. 2 pcs 03-00003-005 - Screw M22x60 12.9 hex
3. 01-00004 - Lock ring tool
4. 04-00028 - Hydraulic ball joint puller
5. 03-00028 - Hydraulic cylinder 32 ton
6. 03-00006-013 - Press plate Ø 59 mm
7. 03-00006-014 - Press plate Ø 63 mm
8. 03-00006-015 - Press plate Ø 50 mm
9. 03-00006-016 - Press plate Ø 44 mm
10. 03-00006-017 - Press plate Ø 63 mm
11. 03-00006-018 - Press plate Ø 57 mm
12. 03-00006-021 - Press plate
13. RES4026 - Carriage beam M18/M22, 250mm
14. RES4024 - Flange nut M18
15. 03-00031-32T - Universal set for Kingpin



03-00021-021, 45T

Universal basic set for commercial truck and bus garages

This set comes with the tools needed for straight and conic kingpins, drawbars and large lock rings.
Demounting tools for steering joints, wheel bolts, wheel hubs and slack adjusters.



03-00021-021, 45T

Contains these parts:

1. 2 pcs 03-00016-001 - Press foot for hub puller
2. 2 pcs 03-00003-005 - Screw M22x60 12.9 hex
3. 01-00004 - Lock ring tool
4. 04-00028 - Hydraulic ball joint puller
5. 03-00026 - Hydraulic cylinder 45 ton
6. 03-00031-45T - Universal set for Kingpin

45T

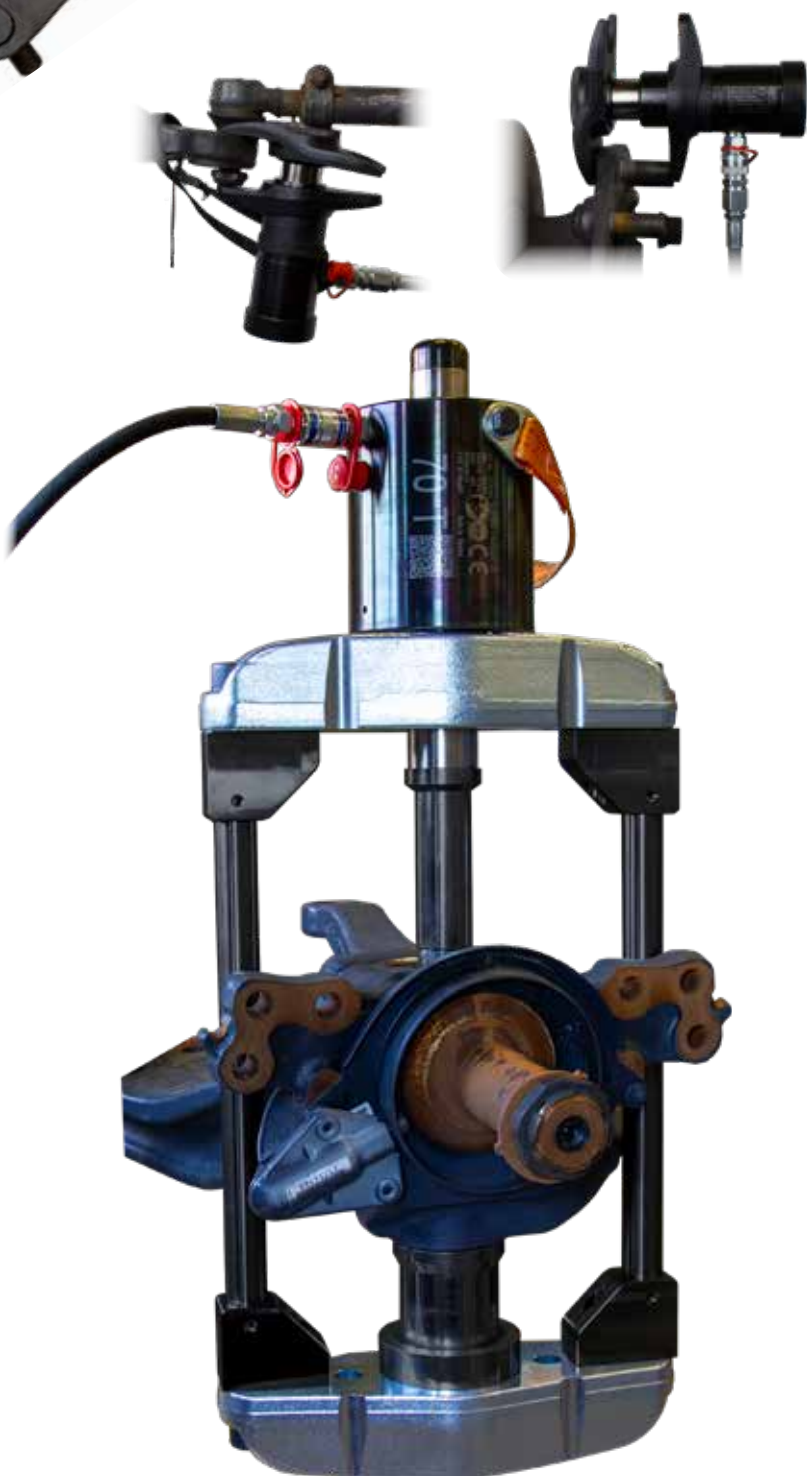
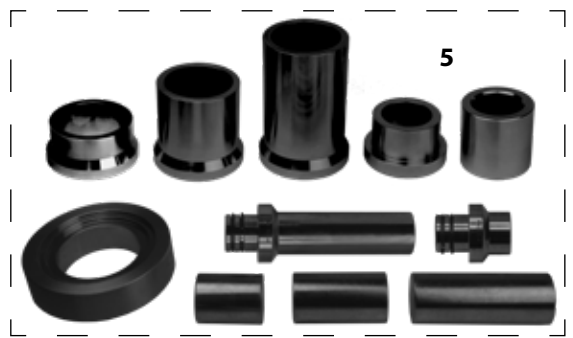
"A lot of jobs would be impossible without these tools, the speed is a huge bonus. Without Wallmek tools in the shop the productivity and efficiency would be lower, simply more hassle!"
-Kjell Andersson, Alvesta Bilservice AB Sweden



03-00021-022, 70T

Universal basic set for commercial truck and bus garages

The set comes with tools for efficient jobs on straight and conic king-pins, drawbars and large lock rings. Dismantling tools for steering joints, wheel bolts, wheel hubs and slack adjusters.



03-00021-022, 70T

Contains these parts:

70T

1. 2 pcs 03-00016-001 - Press foot for hub puller
2. 01-00004 - Lock ring tool
3. 04-00028 - Hydraulic ball joint puller
4. 03-00044 - Hydraulic cylinder 70 ton
5. 03-00048 - Universal set for Kingpin

Storage



04-00022 Tool trolley with 9 drawers

This storage system is made for automotive and truck garages that wants to take the next step in efficiency and profit. The technician can put all his time towards finishing the job instead of spending time trying to find the right tools.

Double tool trolley with totally 9 drawers developed for Wallmek toolsets and foams.

The trolley is equipped with a large top drawer for cylinders and accessories.

All drawers are locked individually and with a central lock system for extra safety during transport, storage and normal use.

All drawers open fully with heavy duty ball bearing slides.

Internal measurements for each drawer:

4 pc H100×W585×D418 mm

3 pc H150×W585×D418 mm

1 pc H250×W585×D418 mm

1 pc H100×W1243×D418 mm (top drawer)

Dimensions: H1155×W1375×D480 mm

Weight: 158 kg



Central lock for safe storage!



The large axle wheels in combination with four swiveled wheels make the trolley easy to handle fully loaded with tools.



Large work surface.

04-00022-300 Tool cart

This sturdy construction comes with a large working surface. The large wheels makes it easy to transport even when fully loaded.

4 sturdy shelves which has been designed to hold our foams and a large storage area/working surface at the top. **Tools not included.**



04-00022-301 Removable storage shelf. 1 included, can be purchased seperately.



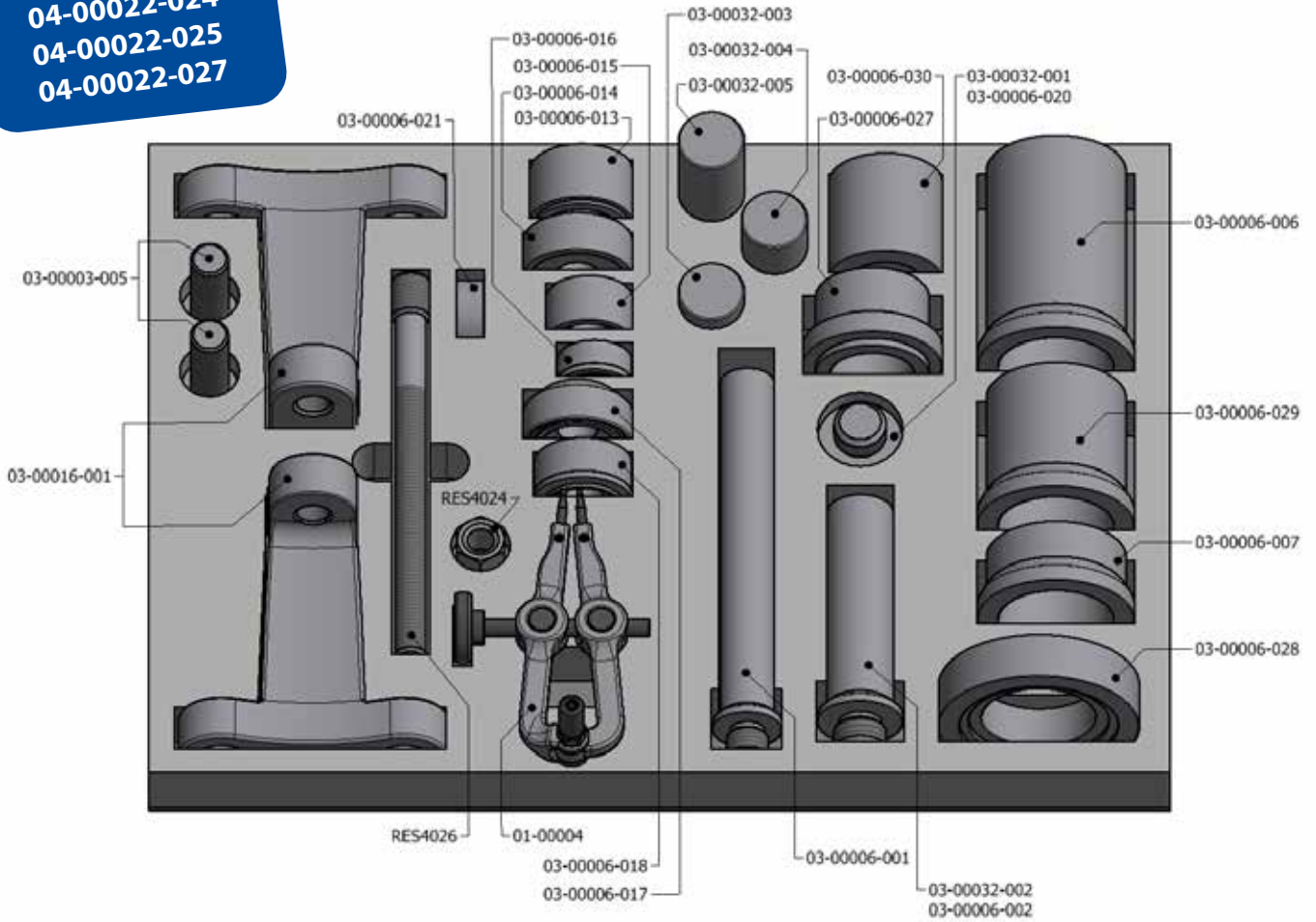
4 sturdy shelves designed to hold our foams.

Foam for tool trolley 04-00022. Tools not included.

04-00022-012 Foam, dimensions 580x415x100

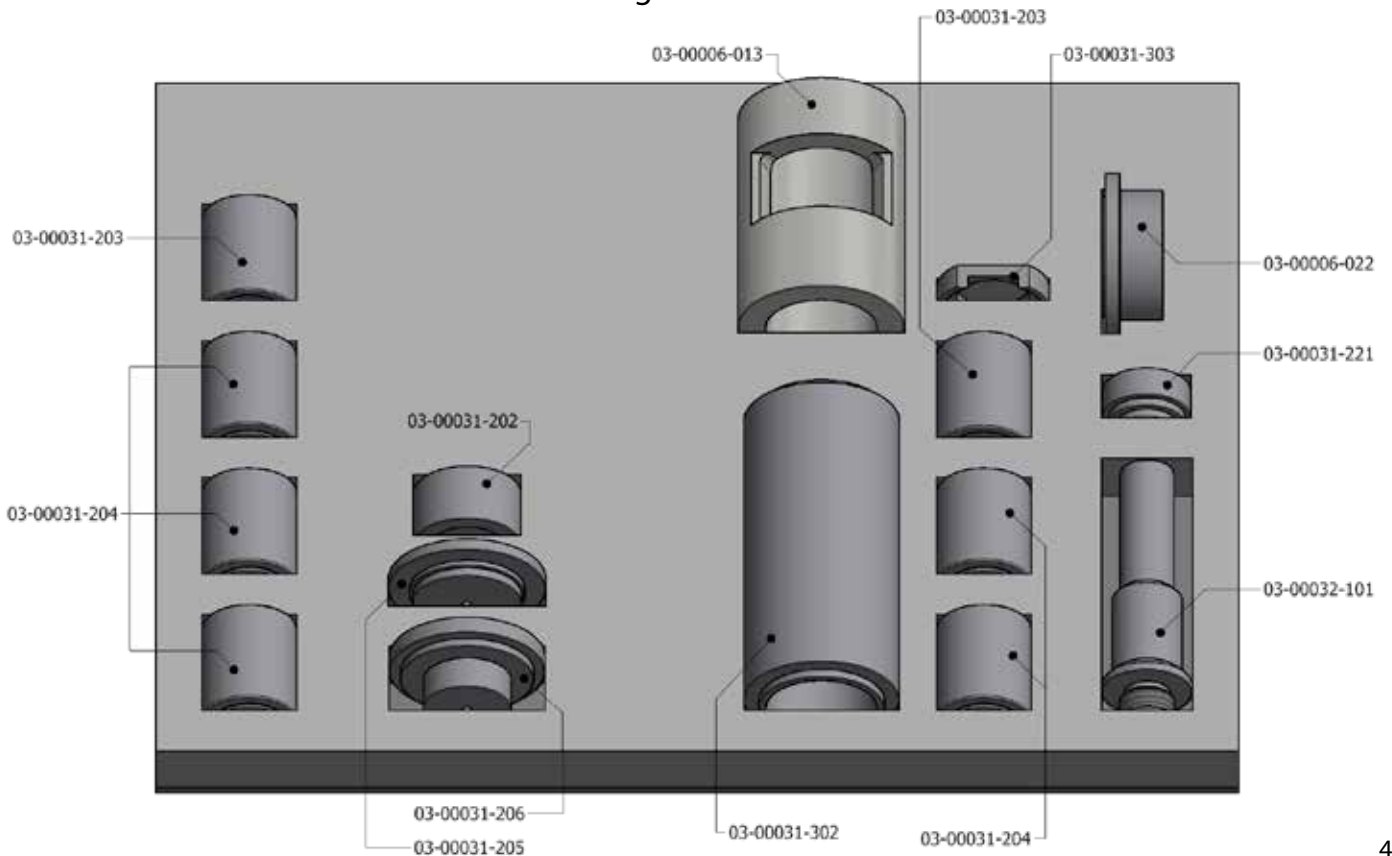
maximum height with tools: 100 mm

See alternatives:
 04-00022-024
 04-00022-025
 04-00022-027



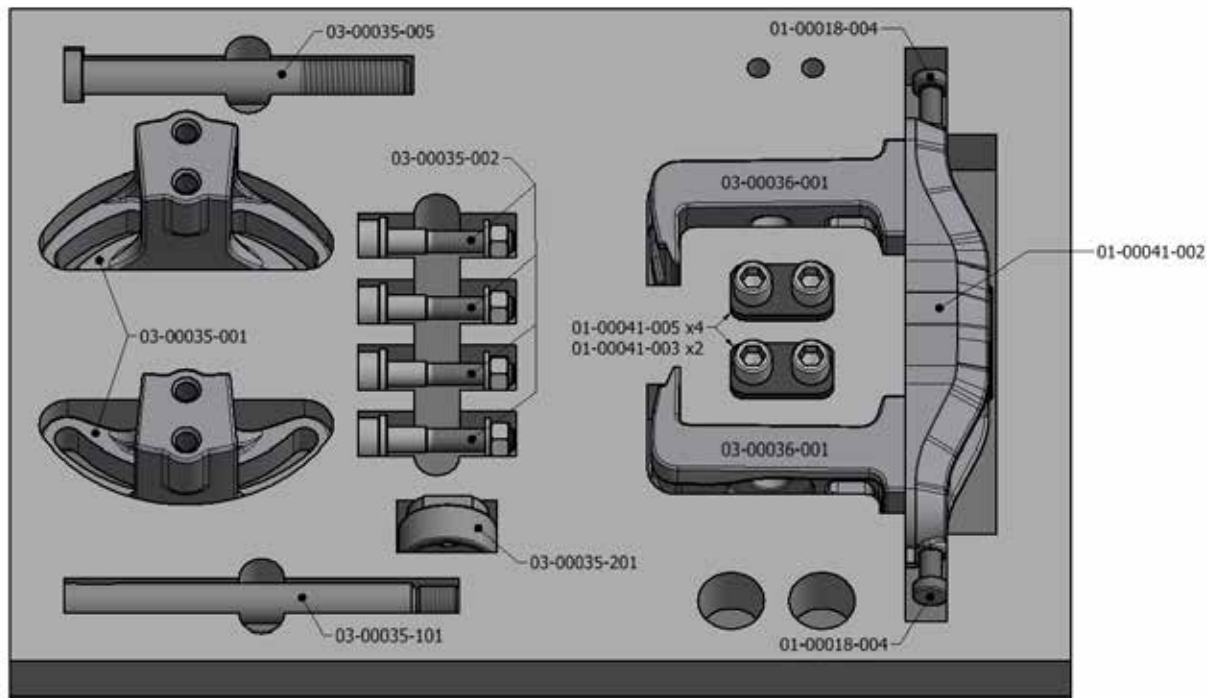
04-00022-013 Foam, dimensions 580x415x90

maximum height with tools: 90 mm



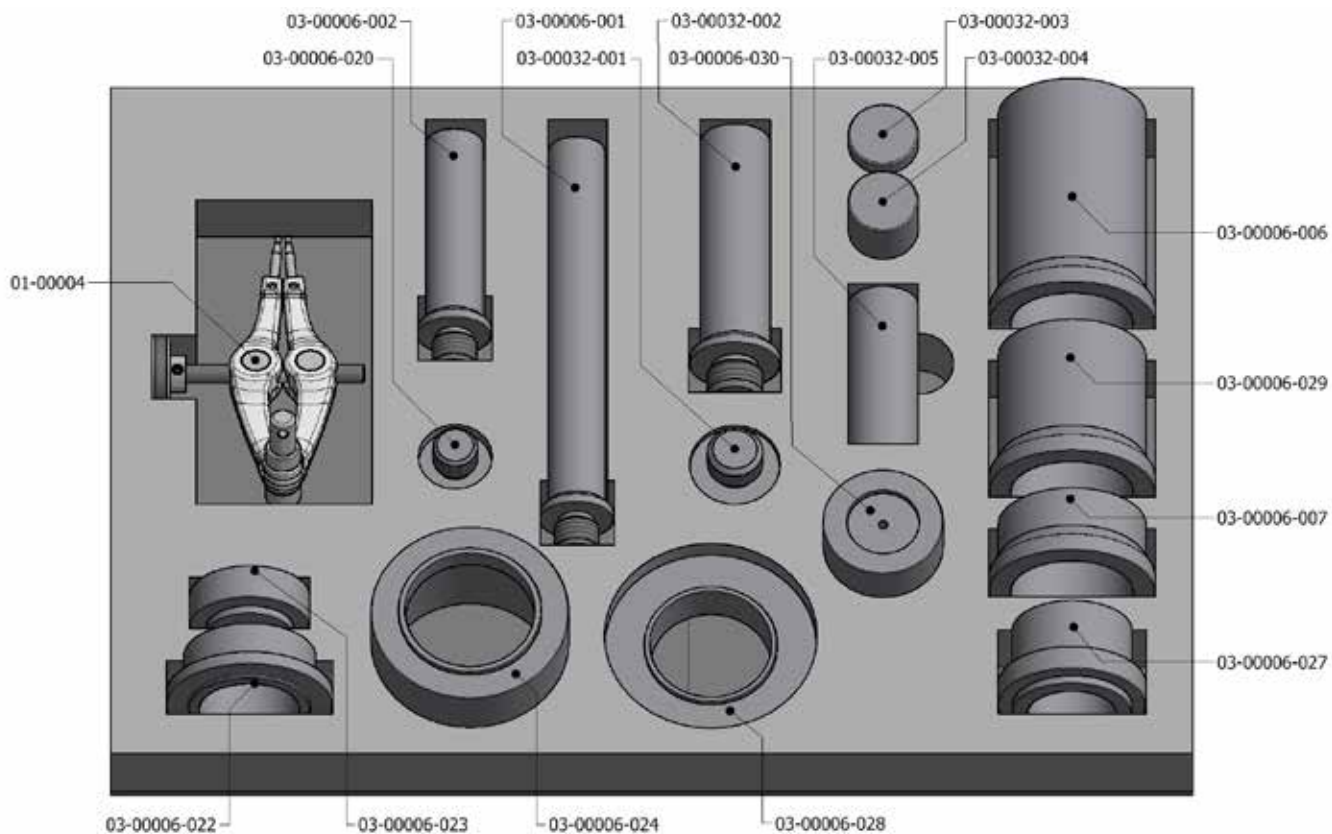
04-00022-016 Foam, dimensions 580x415x122

maximum height with tools: 125 mm



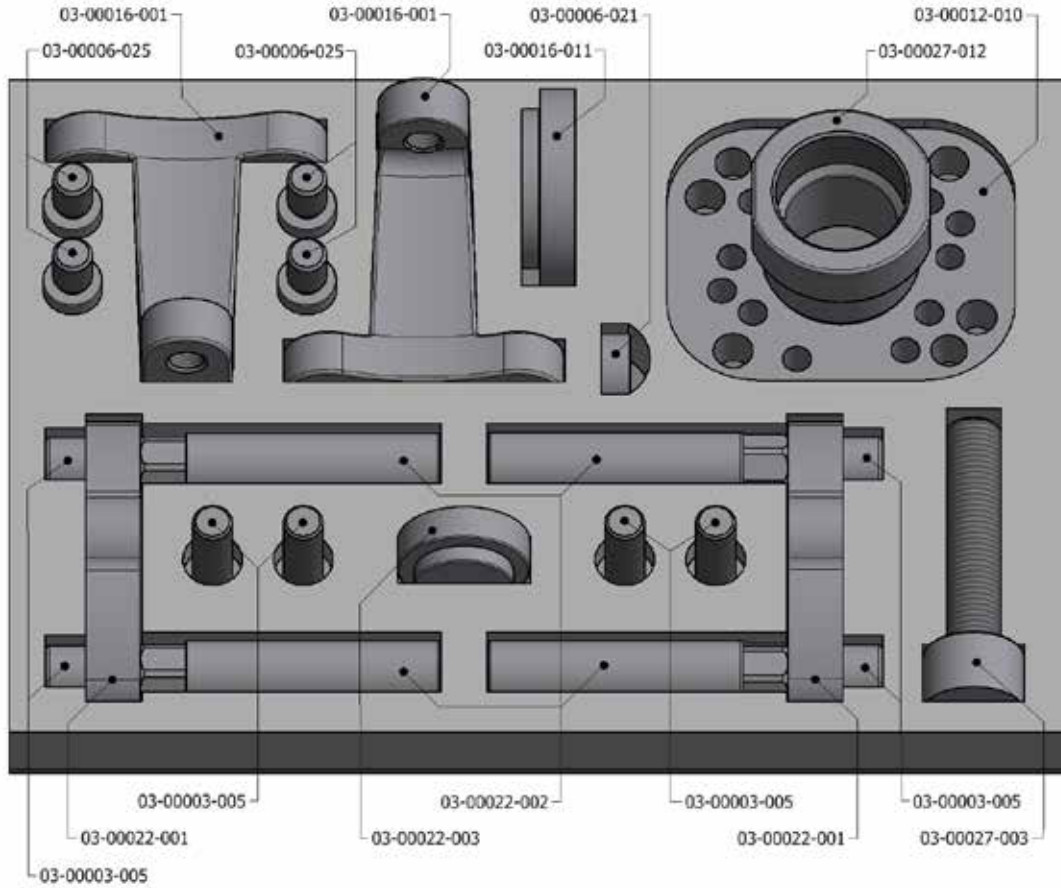
04-00022-024 Foam, dimensions 580x415x90

maximum height with tools: 100 mm



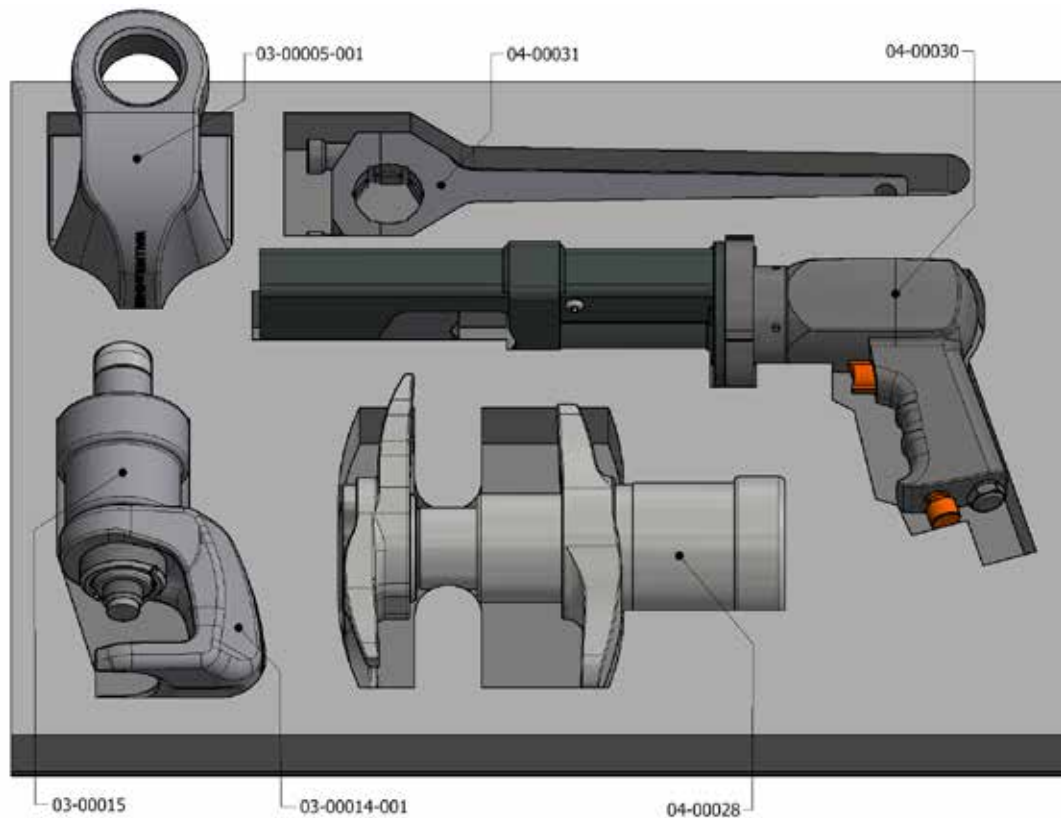
04-00022-025 Foam, dimensions 580x415x122

maximum height with tools: 120 mm



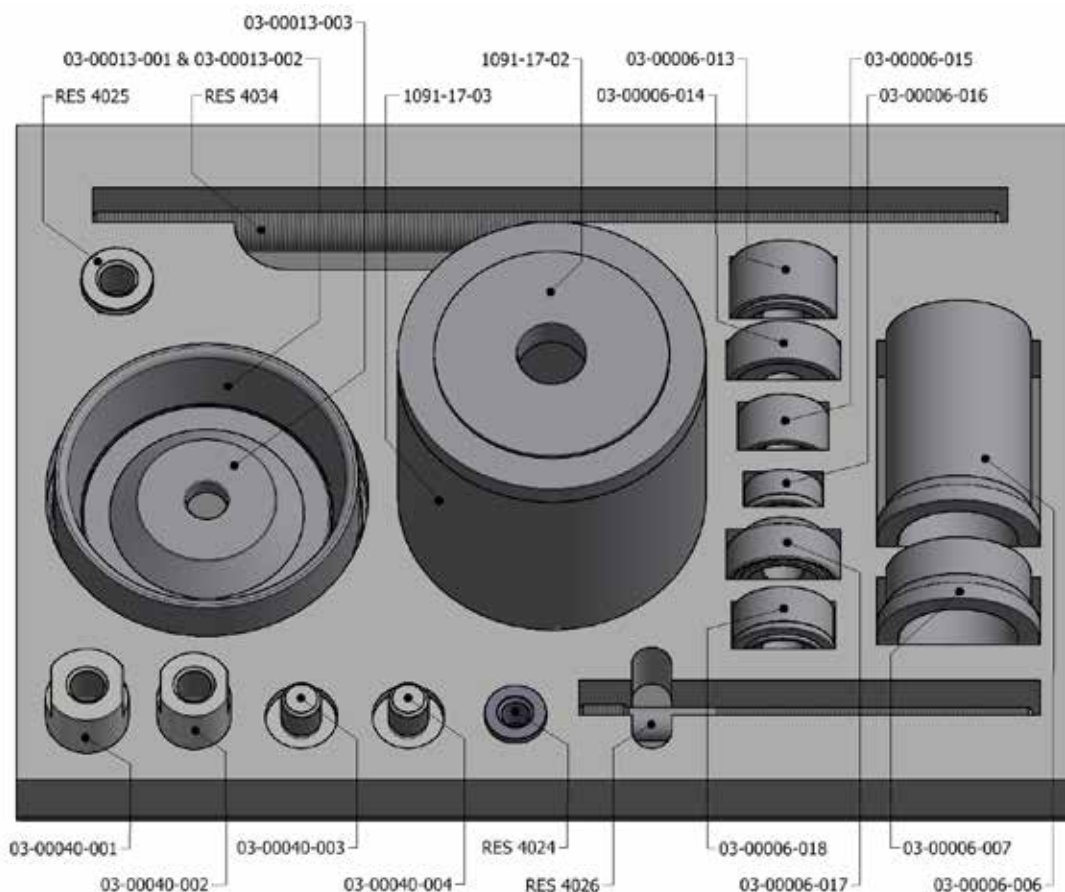
04-00022-026 Foam, dimensions 580x415x90

maximum height with tools: 150 mm



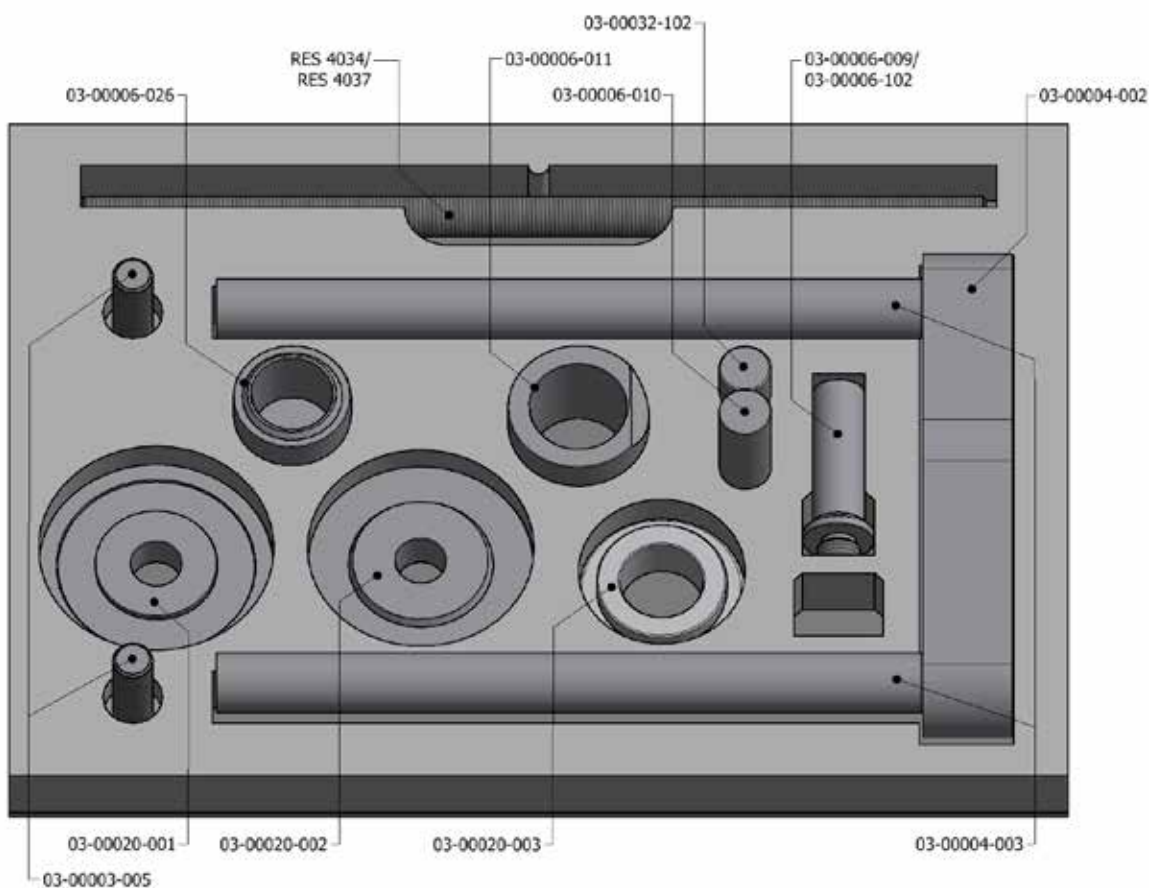
04-00022-027 Foam, dimensions 580x415x122

maximum height with tools: 210 mm



04-00022-028 Foam, dimensions 580x415x90

maximum height with tools: 120 mm



Fuel handling for Petrol, Diesel and Ethanol (E85)



Supplied with classification plan and EC declaration regarding  

L1050-E Fuel tank drainer 115L

This fuel tank drainer is made of stainless steel with a volume of 115 litres approved for petrol, diesel and ethanol. It uses vacuum when draining the car, and pressure when emptying the fuel drainer. It is delivered with a set of adapters and a special hose for long and complicated fuel filler necks (No: L1063). The suction hose uses a quick coupling for a fast, easy and tight connection. The fuel drainer is equipped with an overfill protector, safety vent and pressure regulator. Large wheels makes it mobile and easy to move. SAQ Approval TO 194/92 – 175 950. The fuel drainer has a very long lifetime since it does not have any movable parts that can get damaged by fuel or particles. Safe, fast (max 15 l/ min) and quiet operation. Fumes are disposed of through an exhaust hose. Adapters No: 1, 2 and 3 are included in No: L1050-E.

Comes with the drainer:

- L1054-1 Fuel refill pipe
- L1054-2 Suction adapter, coned
- L1063 Stainless steel hose with quick coupling for draining fuel through long, bent and complicated fuel tank filler necks with L1050 and L1050-E. Diameter: 12mm. Length: 1,9m. Suction capacity: 7 litres/min.



An efficient and safe way for handling fuel. This drainer has no moving pump, which ensures a long lifetime compared to mechanical devices.

L2015 Water separator Petrol, Diesel and Ethanol (E85)

Cleans petrol and diesel effectively from water and particles.
For mounting on fuel tank drainer no: L1050-E.
Easy inspection through sight glass.
Drains from bottom valve.
Volume: 3,5 litres.

Picture shows separator fitted on fuel tank drainer.



05-00001 Liquid indicator 1/2"

For mounting on the fuel tank drainer fuel hose. 1/2" pipe thread.



Productnumber Index

01-0001-500.....	27	03-00041	30	RES4010.....	37
01-0003	26	03-00042	6	RES4011.....	37
01-0004	21	03-00044	32	RES4012.....	37
01-00030	34	03-00046	24	RES4014.....	37
01-00031	36	03-00046-050.....	24	RES4015.....	37
02-00011	30	03-00047	19	RES4016.....	37
02-00011-025.....	30	03-00048	9	RES4021.....	37
03-00005-001.....	20	03-00048-010.....	9	RES4022.....	37
03-00006-012.....	21	03-00048-050.....	11	RES4023.....	37
03-00006-022.....	11	03-00048-200.....	12	RES4024.....	37
03-00006-023.....	11	03-00048-220.....	10	RES4025.....	37
03-00006-024.....	11	03-00048-300.....	10	RES4026.....	37
03-00006-025.....	14	03-00050	40	RES4027.....	37
03-00008-32T.....	17	03-00050-100.....	40	RES4031.....	36
03-00008-45T.....	17	04-00008-001.....	37	RES4035.....	37
03-00009	25	04-00008-002.....	37	RES4036.....	37
03-00010	25	04-00008-003.....	37	RES4037.....	37
03-00013	25	04-00008-004.....	37	RES4039.....	37
03-00015	35	04-00008-005.....	37	RES4042.....	37
03-00015-020.....	35	04-00015	39	RES4043.....	37
03-00016-011.....	15	04-00016	39		
03-00016-32T.....	14	04-00020	39		
03-00016-45T.....	14	04-00021	36		
03-00016-70T.....	14	04-00022	45		
03-00017	21	04-00022-012.....	47		
03-00020-32T.....	21	04-00022-013.....	47		
03-00020-45T.....	21	04-00022-016.....	48		
03-00021-020.....	42	04-00022-024.....	48		
03-00021-021.....	43	04-00022-025.....	49		
03-00021-022.....	44	04-00022-026.....	49		
03-00022	15	04-00022-027.....	50		
03-00023	27	04-00022-028.....	50		
03-00023-050.....	27	04-00022-300.....	46		
03-00025	16	04-00025	23		
03-00025-010.....	16	04-00028	18		
03-00026	33	04-00030	20		
03-00027-32T.....	15	04-00031	20		
03-00027-45T.....	15	05-00001	51		
03-00028	33	1030	39		
03-00030	20	1036	38		
03-00031-002.....	17	1068-04	37		
03-00031-32T.....	8	1068-05	37		
03-00031-45T.....	8	1068-06	37		
03-00031-200.....	12	1068-07	37		
03-00031-220.....	10	1068-08	37		
03-00031-300.....	10	1068-09	37		
03-00031-500.....	41	1068-10	37		
03-00034	16	1068-11	37		
03-00035	28	1086-6.....	36		
03-00035-101.....	28	1090-02-WAL.....	34		
03-00035-201.....	28	1090-03	35		
03-00035-300.....	29	1090-32	37		
03-00036	29	1090-32-10.....	37		
03-00037	22	1090-32-12.....	37		
03-00037-200.....	22	1090-32-14.....	37		
03-00038	23	1090-32-18.....	37		
03-00040-001.....	17	1090-32-22.....	37		
03-00040-002.....	17	L1050-E.....	51		
03-00040-003.....	17	RES4008.....	37		
03-00040-004.....	17	RES4009.....	37		



**Let us know your experience with our tools at info@wallmek.se!
See satisfied customer opinions below:**



"It takes longer to walk to the job than to do the job with these tools."

**-Bruno Cella, Cella Auto Repair.
Bolton, Ontario, Canada.**

"A lot of jobs would be impossible without these tools, the speed is a huge bonus.

Without Wallmek tools in the shop the productivity and efficiency would be lower, simply more hassle!"

**-Kjell Andersson, Alvesta Bilservice AB
Sweden**

"I just want to say that the rim popper for HD truck/trailer and bus is super-efficient..."

**-Patrik Larsson, Grönnäs Autoservice
Sweden**

"An efficient tool that not just makes it simple to do the job, it's also a lot more fun."

**-Stefan Lundgren
Volvo Truck Center Helsingborg
Sweden**

"The Wallmek tools are frequently used in our shop, we get great help every time we use them.

We save a lot of time and effort with these tools, the support and service are very good every time we contact Wallmek."

**-Stefan Lundgren
Volvo Truck Center Helsingborg
Sweden**

"A fantastic tool that we couldn't be without. No more heavy jobs in the shop press or time-consuming cutting in the thick brake disc. These things ruin the work environment for everyone."

**-Ahmad Hassan
Volvo Truck Center Arlöv
Sweden**

"The tools from Wallmek are world class solutions, the same with the support we get.

Our staff is using the tools every day and they always work as promised. When we need new tools or maintain existing equipment, we always get quick help and service.

Why do things slow when it can be done so much faster?"

**-Ahmad Hassan
Volvo Truck Center Arlöv Sweden**

"Once you start using these tools and methods you will understand how ineffective you are without them. The tools are also easy to put in the service van when we head out on road jobs.

Our shop/garage is adding all new tools from Wallmek, this save us a lot of time and the technicians are very satisfied."

**-Thomas Karlsson
Nimrod i Eslöv
Sweden**

"Without this equipment for kingpins, we normally spend 2 – 3 days doing this job.

The universal design makes it possible to do even other jobs more efficient."

**-Per Klasson
Fristads Expressbyrå,
Sweden**

WALLMEK®

INVEST IN TIME

Address

Barnebergsgatan 35
442 40 Kungälv
Sweden

Contact

Tel: +46 (0) 303 - 585 80
E-mail: info@wallmek.se
Web: www.wallmek.se



PASSENGER CARS

PERSONBIL



LIGHT COMMERCIAL

TRANSPORTBIL



TRUCKS

LASTBIL



FUEL HANDLING

BRÄNSLEHANTERING



CAR DISMANTLING

BILDEMONTERING



CONTRACTING

ENTREPRENAD



WWW.WALLMEK.SE